
HD Video, Audio, Flight Data Recorder & Access Point



Flightcell SmartHUB

Records HD Video, Audio and Flight Data

Flightcell SmartHUB is the perfect tool to meet increasing global requirements for mandatory cockpit recording for government and public sector rotorcraft operators

An effective tool for flight optimization, post-flight analysis / incident investigations & pilot training

LED Screen

Multi-function menu button for mode select and status

Capable of logging:

- GPS position data, altitude and speed
- Pressure altitude
- Vertical rate (GPS & barometric), turn rate
- Pitch, roll, G-force

Integrated USB hub and ethernet switch.
Download flight logs using ethernet, USB or SD card

Designed specifically for rotorcraft, the Flightcell SmartHUB is a state-of-the-art HD video, audio and flight data recorder, and an access point providing connectivity to multiple onboard devices.



SH SmartHUB Flight Viewer software allows you to view recordings post flight.

WiFi Aviation compliant Wi-Fi access point

Hardened internal removable SD card slot (256GB SD Card included)

USB-A & USB-C ports (top USB-A port - fast charging option)

Simple Installation

Standalone unit or can be paired with Flightcell DZMx.

Various cockpit & remote mounting options



Installed under local modification (minor change)

Wi-Fi and GPS antenna connectors

Compact Design

22.7oz 5.8" (W) x 2.0" (H) x 6.1" (D)

646grams 146mm (W) x 51mm (H) x 155mm (D)



Interfaces with Flightcell Camera and DZMx

Flightcell SmartHUB interfaces with the Flightcell DZMx and Camera(s) or other USB powered cameras.



Flightcell Camera

Multiple Cameras

Install in the cockpit, and for second camera (if required) aircraft cabin



High Quality Recording

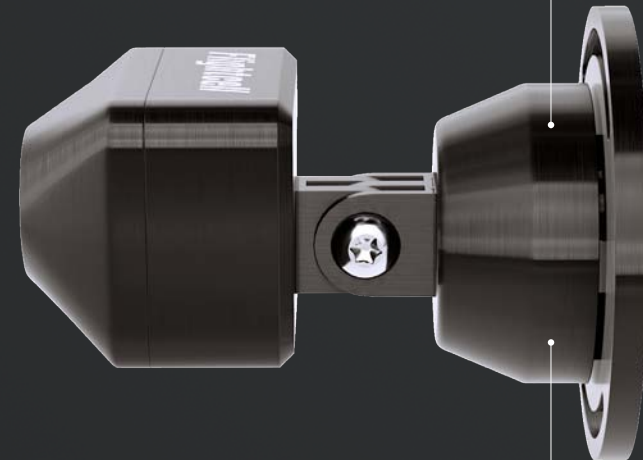
HD1080p ultra low light camera
Max resolution 1920x1080P, 2.0MP
Max frame rate 30fps

Embedded microphone for ambient cockpit audio

Rugged & Compact Design

Machined alloy (9601)

5.3oz 2.0"(W) x 1.5"(H) x 3.4"(D)



Strong Mountable Swivel Bracket

Technical Specifications

HIGH SPEED INTERFACES

6x USB 2.0

- USB-A front ports x2 (1 fast charge, 1 normal charge, both data capable)
- USB-C front port x1 (with fast charge option)
- USB rear connectors x3 (for wiring in external USB ports or USB devices)*

GENERAL INTERFACES

ARINC 429 RX x2

RS232 x2

CAN x1

Digital inputs x3 (e.g. oil pressure, collective, squat)

Power input x1 (for remote power control)

Multi-function notification output (e.g. indicate device is recording)

NETWORKING

10/100/1000 Ethernet x 6 (1 front, 5 rear)

Certified WiFi 802.11ac/a/b/g/n (optional)

AUDIO

Audio input for radio/intercom audio recording

STORAGE

Ruggedized internal removable SD Card slot (micro)

CPU

1.8GHz Quad Core ARM Cortex-A53

4GB DDR4 memory

POSITION & ORIENTATION

GPS

6-Axis MPU (Accelerometer, Gyro)

Internal barometric sensor

Capable of logging:

- Full GPS position data, altitude and speed
- Pressure altitude
- Vertical Rate (GPS and barometric), Turn Rate
- Pitch, Roll, G-Force

Impact detection

Ability to configure and log flight exceedances

POWER

28V DC

14W nominal, maximum 30W (1x USB Fast Charge)

14W without fast charge

MOUNTING FASTENERS

DZUS mount, 4 x M5 threaded mounts on top/bottom

ENVIRONMENTAL

DO160G

DIMENSIONS

Weight	646 grams	22.7oz
Width	146.0 mm	5.8"
Height	50.6 mm	2.0"
Depth	185.0 mm	7.3"

Flightcell Camera

GENERAL INTERFACES

Maximum resolution 1920x1080P, 2.0 Megapixel

Maximum frame rate 30fps

Compression format H264/MJPEG / YUV2 (YUYV)

FOV: 100 degree no distortion lens

Embedded mic for ambient cockpit recording

DIMENSIONS

Weight	150g	5.3oz
Width	50.0mm	1.97"
Height	50.6mm	2.0"
Depth	185.0mm	7.3"

Note: Product specifications are correct as at April 2022. Specifications are subject to change without notice. Video download speeds will depend on method applied (i.e. SD card, USB, Ethernet, network connection and camera setting).

SmartHUB Flight Viewer Software

SH

Dedicated SmartHUB Flight Viewer software allows you to view and analyse recordings post flight.

For optimal viewing it is recommended to view recordings on larger devices.



About Flightcell

Europe *Flightcell*

North America

Central and South America

Middle East

North Asia

Australia

New Zealand *Flightcell*

About Flightcell

Setting quality standards since 2000, Flightcell is a leader in the global aviation communications systems and hardware industry, leveraging strong strategic relationships with aircraft manufacturers, industry partners and government.

Flightcell's trusted products are highly configurable for operational requirements, with focus on providing solutions to rotorcraft, VLJ, and turbo prop fixed wing aircraft that specialise in aerial firefighting, law enforcement, search and rescue, air medical, oil and gas and military.

Contact

Phone: +64 3 545 8651 (New Zealand)
+46 735 262101 (Europe)

Email: info@flightcell.com

www.flightcell.com

Flightcell

Always Connected

View Flightcell SmartHUB



www.flightcell.com