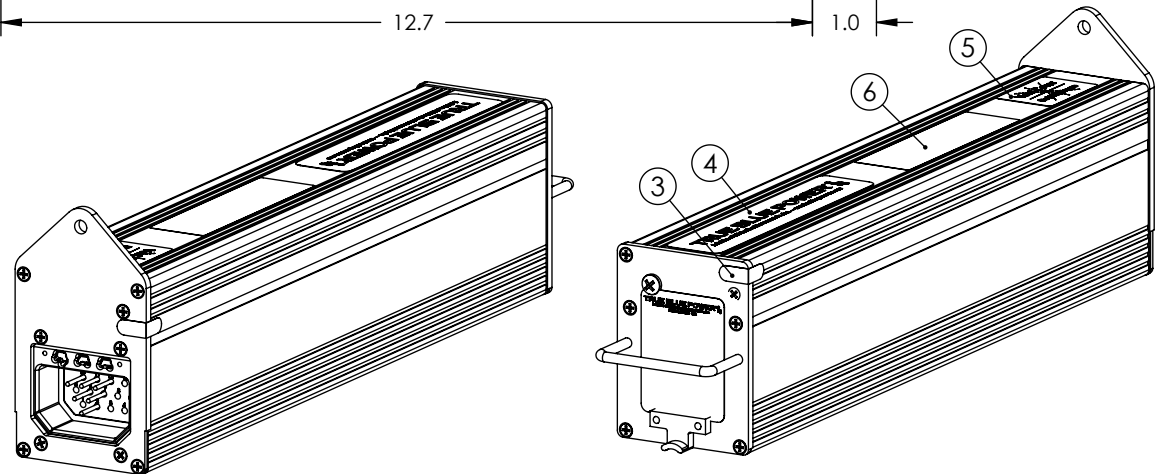
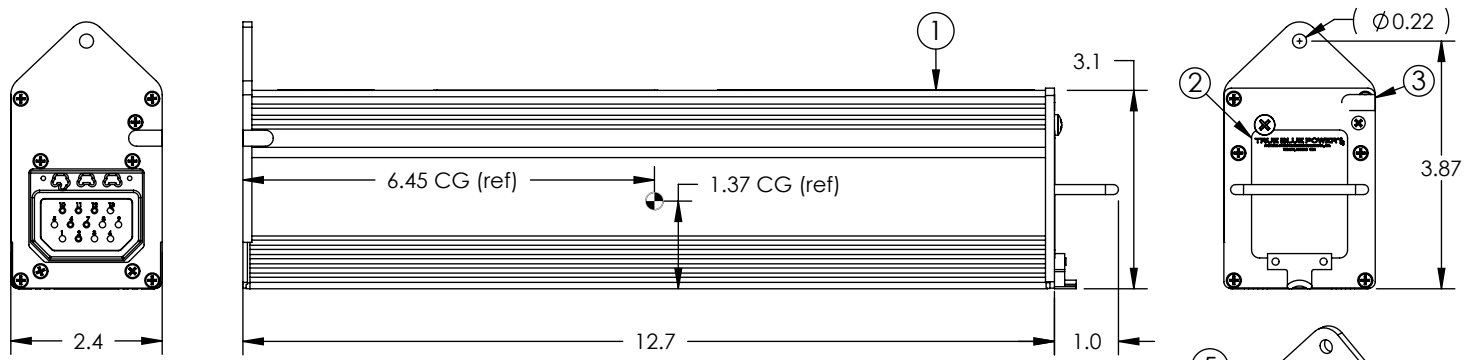


| Configuration |        |           |           |
|---------------|--------|-----------|-----------|
| Dash #        | Fuse   | Assembly  | Nameplate |
| -1            | 20 amp | 9016834-1 | 9016745-1 |
| -2            | 20 amp | 9016834-2 | 9016745-1 |
| -3            | 15 amp | 9016834-3 | 9016745-3 |
| -5            | 20 amp | 9016834-5 | 9016745-5 |

| Revision |      |  |          |          |
|----------|------|--|----------|----------|
| ECO      | Rev. | Description  | Date     | Approved |
|          |      | See obsolete drawing for revision history.                       |          |          |
| 6351     | N    | Added Mod 3: Extended filtering for high-transient load current. | 02/25/15 | ScH/CAS  |
| 6769     | P    | Weight NTE in title block was Concentricity.                     | 06/26/17 | ScH/VAA  |
| 6947     | Q    | Added 9019257-2 Charge Reminder Label.                           | 08/14/18 | MKN/MKN  |

| Connector Pinout |                 |
|------------------|-----------------|
| Pin #            | Pin Description |
| 1                | Reserved        |
| 2                | Test Switch     |
| 3                | Reserved        |
| 4                | Reserved        |
| 5                | (See below)     |
| 6                | Test Output     |
| 7                | Power Ground    |
| 8                | Reserved        |
| 9                | (See below)     |
| 10               | 24 to 32 VDC In |
| 11               | 20-26 VDC Out   |
| 12               | Power Ground    |
| 13               | (See below)     |

Pin 5 = auxiliary power out (3-5.5V) for -5 unit only  
Pin 9 = Fuse bypass for -2 unit  
Pin 9 = 5V enable line for -5 unit  
Pin 13 = 5V enable for -5 unit only (alternate)



| Specifications                   |  |
|----------------------------------|--|
| Model/Part                       | TS835-( ) / MD835-( )  |
| Power Input                      | 24 to 32 VDC, 15 Amps max  |
| Power Output                     | 24.5 VDC nominal, fuse limited (see config)<br>3 to 5.5VDC adjustable output, 5A max (-5 only)                                   |
| Battery Capacity                 | 4.5 Amp-hour nominal   |
| Certification and Qualifications | FAA TSO-C179a, EASA ETSO-C179a, RTCA DO-311, RTCA DO-160F Env. Cat. F2S2BB[(RCC1)(UG)(U2FF1)] EXXSFSZ(ZXX)AZ(ZC)[RR]H[A3H33]XXAX |
| Mating Connector                 | DPXB-13-33S-0001 (or equiv)  |
| Protection                       | Internal Fuse  |
| Installation                     | 1/4 ATR Rack   |
| Weight                           | 4.8 lbs  |

Note:

Mod 0: External diode required; fast charge for maintenance only.  
Mod 1: External diode optional; fast charge during all operations.  
Mod 2: Added sealed case with vent hole, and optional vent tube.  
Mod 3: Extended filtering for high-transient load current.

| Item | Qty | Part Number | Description            |
|------|-----|-------------|------------------------|
| 1    | 1   | See config. | Assy, MD835            |
| 2    | 1   | See config. | Nameplate, MD835       |
| 3    | 2   | 6018956-1   | Decal, Warranty        |
| 4    | 1   | 9017130-1   | Label, True Blue Power |
| 5    | 1   | 9017966     | Label, Vent            |
| 6    | 1   | 9019257-2   | Label, Charge Reminder |

UNLESS OTHERWISE SPECIFIED, ALL DIMENSIONS ARE IN INCHES.  
TOLERANCE:  
FRACTIONAL=±1/64  
.XX=±0.015  
.XXX=±0.005  
.XXXX=±0.002  
ANGULAR=±0.5°  
WEIGHT: N.T.E. +5%  
BREAK ALL SHARP EDGES  
THREADS PER MIL-S-7742

DRAWN:  
MKN  
001/19/2009

APPROVED:  
C. Mies  
03/03/2009

This document discloses proprietary information of Mid-Continent Instrument Co. It may be reproduced or disclosed only with written permission of Mid-Continent Instrument Co. and is not to be used in any way detrimental to the interests of Mid-Continent Instrument Co.

**TRUE BLUE POWER**  
A Division of Mid-Continent Instrument Co., Inc.

TITLE:  
**Emergency Power Supply**

PART NUMBER:  
**MD835**

SCALE: 1:3

DO NOT SCALE THIS DRAWING

SHEET: 1 of 1