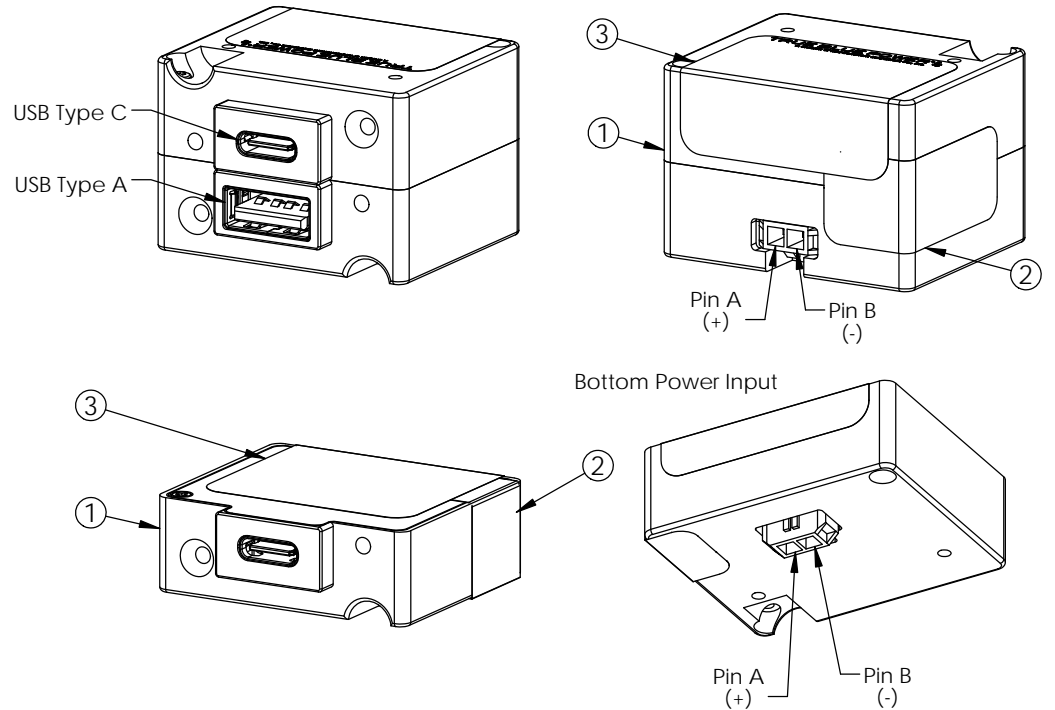
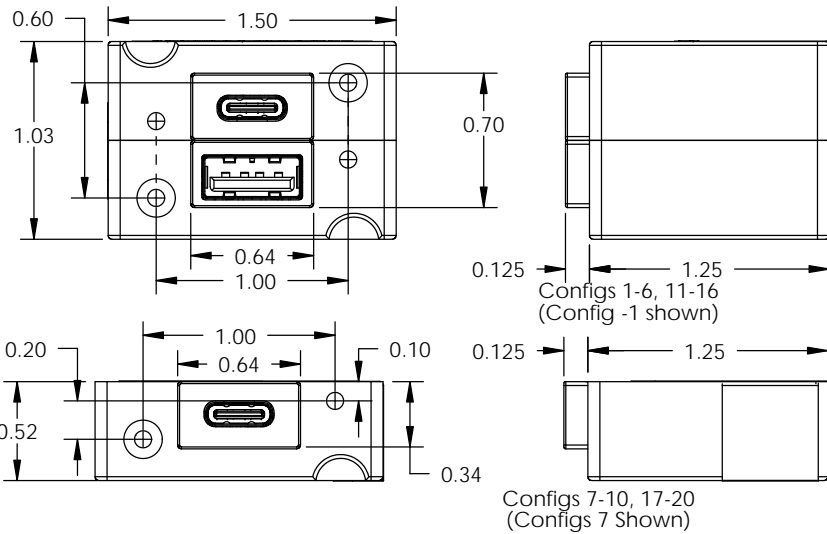


Configuration					
Dash #	Assembly	Dash #	Assembly	Power Input	USB Connector
NON LIGHTED		LIGHTED			
-1	9017900-1	-11	9017900-11	Rear	Type A, C
-2	9017900-2	-12	9017900-12	Bottom	Type A, C
-3	9017900-3	-13	9017900-13	Rear	Type C, C
-4	9017900-4	-14	9017900-14	Bottom	Type C, C
-5	9017900-5	-15	9017900-15	Rear	Type A, A
-6	9017900-6	-16	9017900-16	Bottom	Type A, A
-7	9017900-7	-17	9017900-17	Rear	Single Type C
-8	9017900-8	-18	9017900-18	Bottom	Single Type C
-9	9017900-9	-19	9017900-19	Rear	Single Type A
-10	9017900-10	-20	9017900-20	Bottom	Single Type A

Revision				
ECO	Rev	Description	Date	Approved
	A	Production release	02/03/16	TKV/VAA
6620	B	Added lighted assemblies -11 through -20	05/02/16	TKV/VAA



Specifications	
Model Number	TA202
Input	10-32 VDC, 18W per USBPort
Output	5.0±0.25VDC; 3.0 A per USB Port
Interface	USB Type-A or Type-C (See config table)
Qualification	FAATSO-C71 RTCA DO-160G (See Installation Manual) USB Power Delivery Spec 2.0 USB Battery Charging BC 1.2
Case	Anodized Aluminum, Black
Mating Connector Kit	P/N 9017960
Weight	1.3 oz. (38 g) (dual port), 0.8 oz. (23 g) (single port)
Installation Manual	P/N 9017899

Connector Pinout	
A	10-32 VDC Input
B	Ground

UNLESS OTHERWISE SPECIFIED, ALL DIMENSIONS ARE IN INCHES.
TOLERANCE:
FRACTIONAL=±1/64
.XX=±0.015
.XXX=±0.005
.XXXX=±0.002
ANGULAR=±0.5°
CONCENTRICITY: 0.005 TIR
BREAK ALL SHARP EDGES
THREADS PER MIL-S-7742

DRAWN:
TKV
11/13/2015

APPROVED:
VAA
03/14/2016

This document discloses proprietary information of Mid-Continent Instrument Co., Inc. It may be reproduced or disclosed only with written permission of Mid-Continent Instrument Co. and is not to be used in any way detrimental to the interests of Mid-Continent Instrument Co., Inc.

TRUE BLUE POWER
A Division of Mid-Continent Instrument Co., Inc.

Item	Qty	Part Number	Description
1	1	See config	Assy, TA202
2	1	6018956-1	Decal, Warranty
3	1	9017895	Nameplate, TA202

TITLE: High Power USB Charging Port		PART NUMBER: 6430202
SCALE: 1:1	DO NOT SCALE THIS DRAWING	SHEET: 1 of 1