



## S5GIR1516RR-XP-XXX ANTENNA FAMILY

### GPS L1 + Iridium Antenna

The S5GIR1516RR-XP-XXX product family can receive L1 GPS and Iridium signals. There are four mounting holes located outside an o-ring seal on the antenna for easy installation onto platforms with tight size and weight budgets. Separate GPS and Iridium connectors are provided.

The GPS channel is offered in passive and active (amplified) configurations. The active configuration offers 2-stage integrated bandpass filtering for high out-of-band rejection and limiter diodes to protect sensitive receiver electronics. The passive configuration is best suited to applications where the antenna is located close to the GPS receiver and offers the lowest insertion loss to minimize your system's noise figure. The Iridium channel is passive (non-amplified).

Antcom can customize this product family to meet your specific requirements. Please contact us for more information about customization options.

#### BENEFITS

- Multi-functional antenna includes GPS plus Iridium for size & weight savings
- Easy installation with only one set of mounting holes and one cable clearance hole

#### FEATURES

- Separate GPS L1 and Iridium connectors
- Mounting screws, washers and o-ring included
- Passive and active GPS options available
- Connector options available
- Paint color options available



#### OPTIONS

COLOR	<ul style="list-style-type: none"><li>• Gloss White</li><li>• Lusterless Gray</li><li>• Camo Green</li><li>• Lusterless Black</li><li>• Desert Tan</li></ul>
CONNECTOR	<ul style="list-style-type: none"><li>• S: SMA; B: BNC</li><li>• N: N</li><li>• T, TNC</li><li>• TNC-Bulkhead</li></ul>
LNA GAIN	<ul style="list-style-type: none"><li>• With 33 dB LNA</li><li>• Without LNA</li></ul>

**ELECTRICAL**

<b>Frequency Range:</b>	
<b>L1 GPS</b>	1575.42 ± 12 MHz
<b>IRIDIUM</b>	1610 - 1626 MHz
<b>VSWR</b>	<2.0:1
<b>Impedance</b>	50 ohms
<b>Polarization</b>	RHCP

**MECHANICAL & ENVIRONMENTAL**

Designed to:

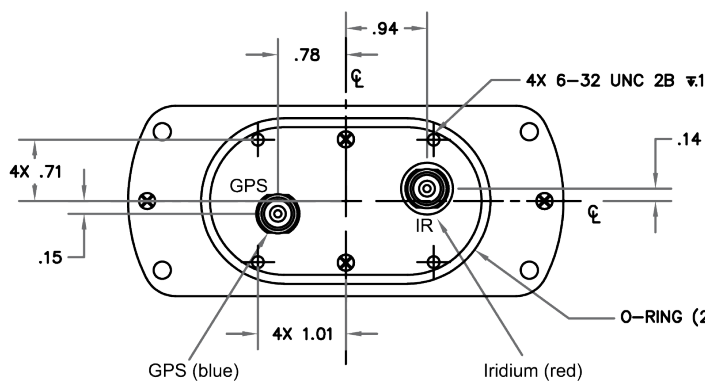
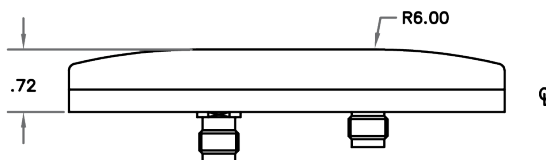
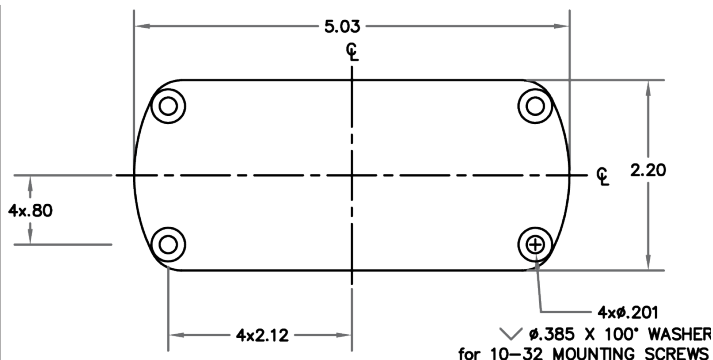
<b>Weight</b>	8.38 oz
<b>Temperature</b>	-55°C TO +85°C
<b>Altitude</b>	70,000 ft
<b>Vibration</b>	> 30 Grms

**TYPICAL LNA PERFORMANCE**

<b>LNA Gain</b>	See Options Table
<b>LNA Noise Figure</b>	3.5 dB
<b>LNA P1dB Out</b>	+13 dBm
<b>LNA DC Power</b>	(3.8 - 15) V <35 mA

**LIMITING & FILTERING**

<b>Power Handling</b>	1 Watt CW
-----------------------	-----------



**PART NUMBER DECODER**  
S5GIR1516RR-XP-XXX-X

**LNA Gain**  
A = With 33 dB  
P = Passive

**IRIDIUM**  
P = Passive

**Color (PER AMS-STD-595)**  
1 = Gloss White #17925  
2 = Lusterless Gray #36320  
3 = Camo Green #34094  
4 = Lusterless Black #37038  
5 = Desert Tan #33446

**Connector**  
S = SMA; B = BNC  
N = N  
T = TNC; TB = TNC-Bulkhead

**CONTACT ANTCOM**

Phone: +1-310-782-1076  
Fax: +1-310-782-1086  
Email: sales.pi.antcom@antcom.com  
Web: antcom.com

