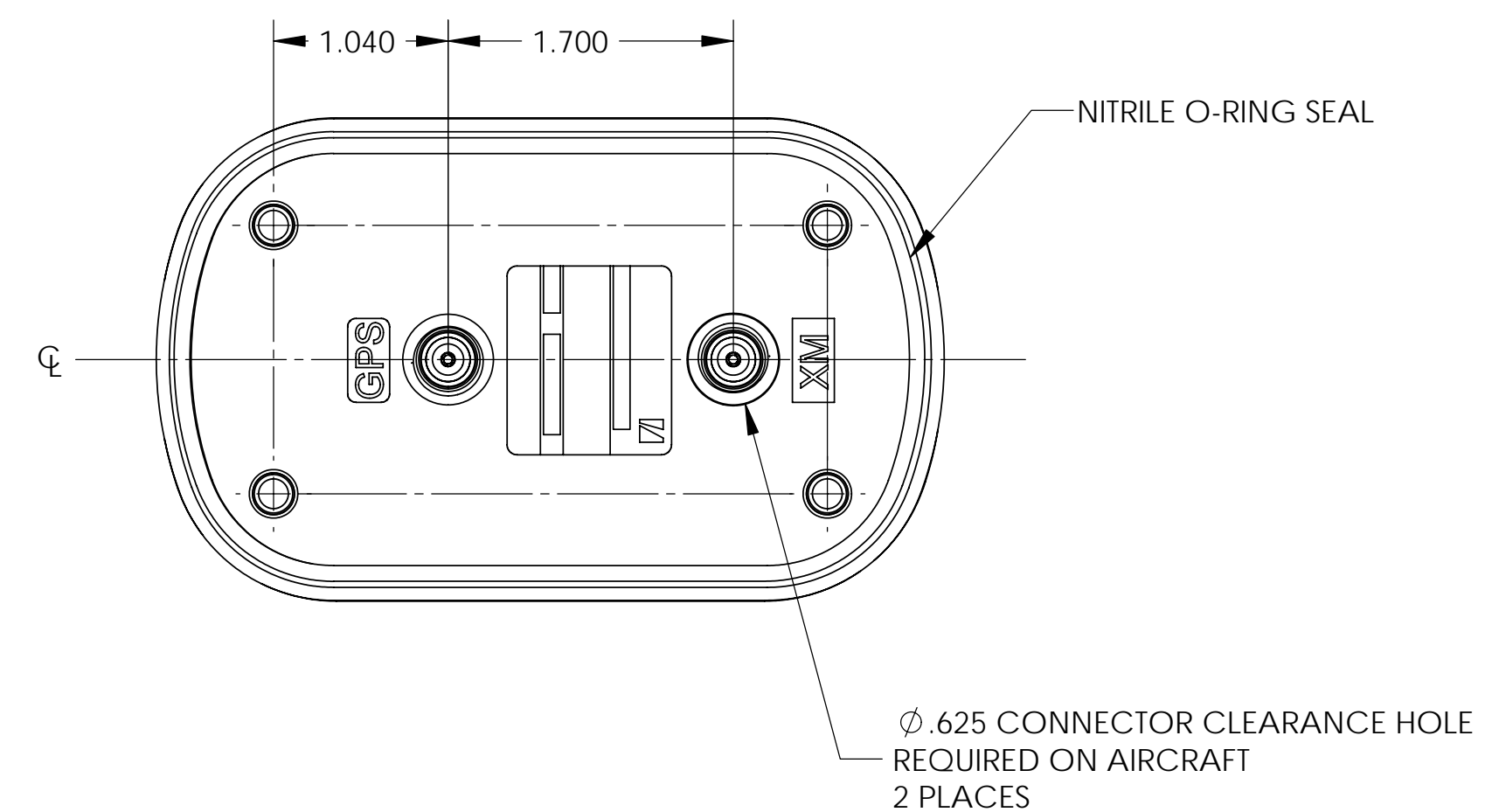
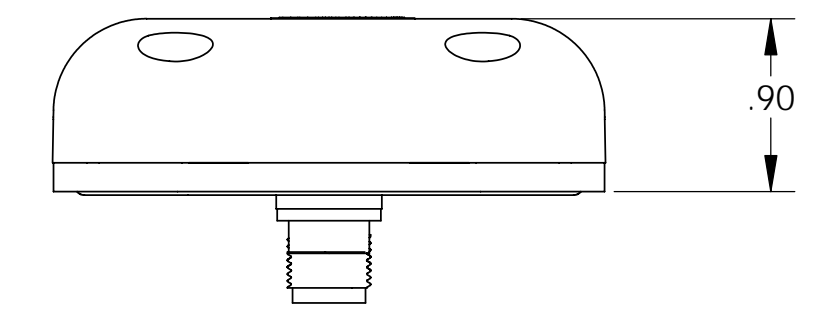
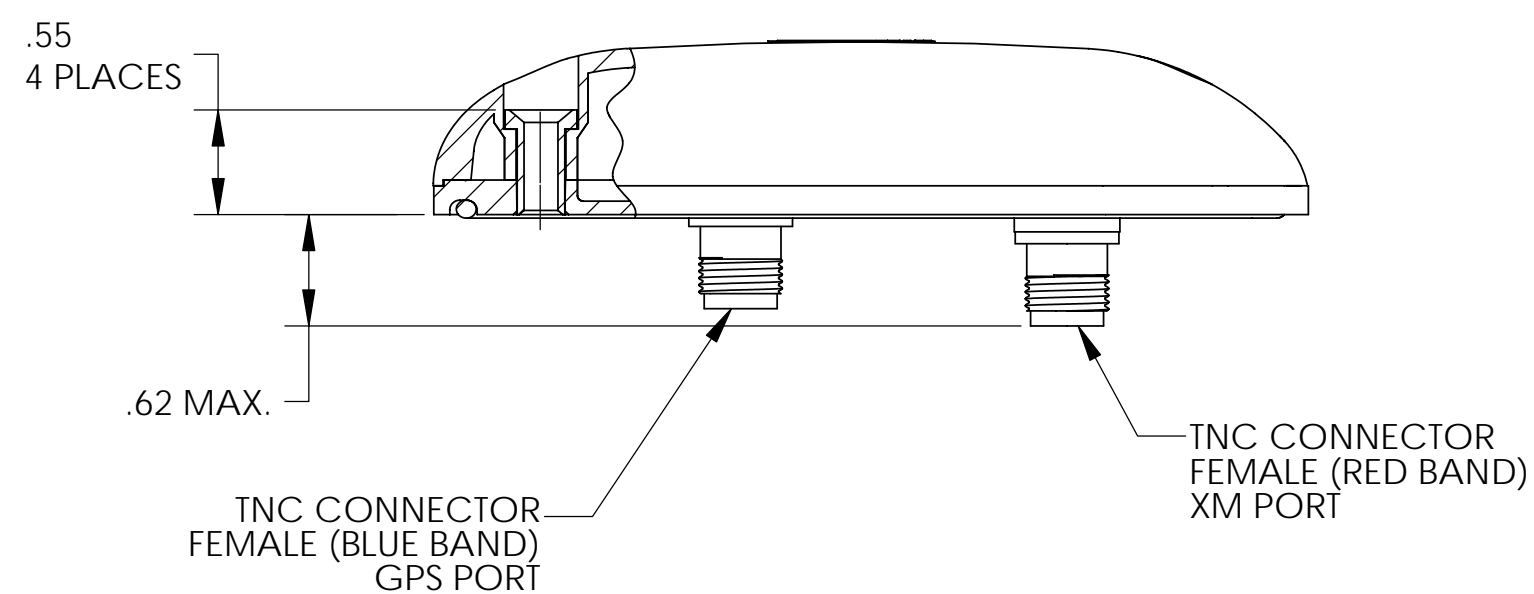
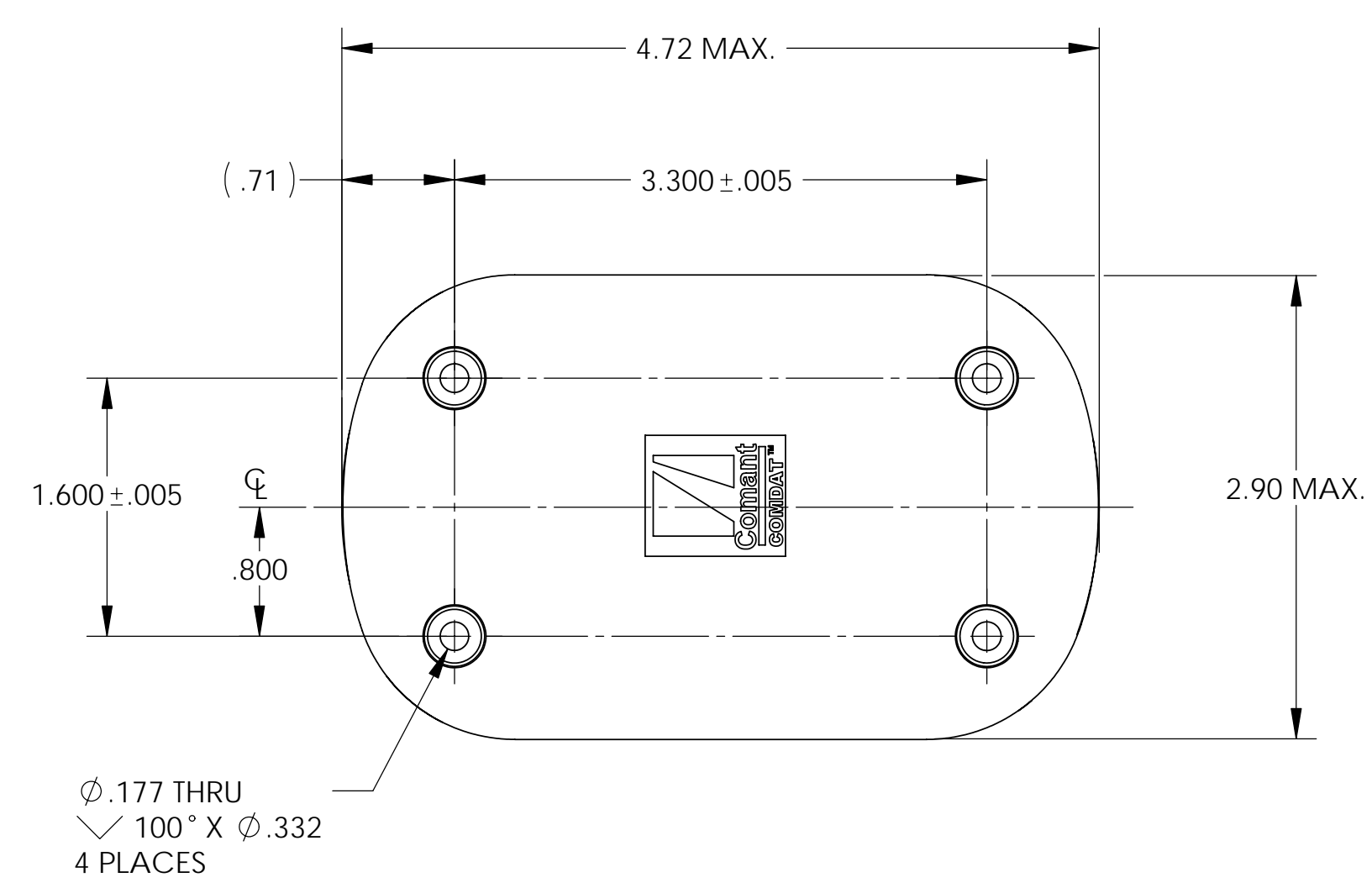


THE INFORMATION CONTAINED IN THIS DRAWING IS THE SOLE PROPERTY OF Comant Industries, Inc. ANY REPRODUCTION IN PART OR WHOLE, WITHOUT THE WRITTEN PERMISSION OF Comant Industries, Inc. IS PROHIBITED.

REVISIONS			
LTR	DESCRIPTION	DATE	APPROVAL
A	RELEASED DRAWING	HN 12/01/06	DH 12/04/06
B	REF ECN 07-52	HN 3/15/07	AV 3/15/07



INSTALLATION DRAWING

ASSEMBLY DRAWING NO. C42801

<p>UNLESS OTHERWISE SPECIFIED</p> <p>DIMENSIONS ARE IN INCHES TOLERANCES ON DECIMALS .XX ± .03 .XXX ± .010 FRACTIONS ± 1/32 ANGLES ± 1°</p> <p>MACHINE FINISH 125 ✓ PER ANSI-B46.1 REMOVE BURRS AND SHARP EDGES .015 MAX MEET DIMENSIONS BEFORE PLATING DIMENSIONS ARE PER ASME Y14.5M</p> <p>MATERIAL : ..</p> <p>DO NOT SCALE DRAWING</p>	CONTRACT NO.		<p>Comant Industries, inc.</p> <p>GPS / XM COMDAT ® ANTENNA</p>	
	APPROVALS			DATE
	DRAWN	H. NGUYEN		12/01/06
	CHECK	D.HOLLOWAY		12/04/06
	ENGR	D.HOLLOWAY		12/04/06
MFG	L.LEVASQUEZ	12/04/06		
QC	S. ADAMS	12/04/06		
DWG SIZE D	CODE IDENT 51351	DWG. NO. CI 428-410	REV. B	
SCALE: 1/1		CAD FILE: --	SHEET : 1 OF 2	

DWG NO CI 428-410 REV. B