

**NOTES:**

**A.) ELECTRICAL SPECS:**

- 1.) VOLTAGE RATING / 500 VRMS.
- 2.) IMPEDANCE / 50 OHMS.
- 3.) DIELECTRIC WITHSTANDING VOLTAGE / 1,500 VRMS.
- 4.) FREQUENCY RANGE / DC TO 4 GHz.
- 5.) INSULATION RESISTANCE / 5,000 MEGOHMS MIN.

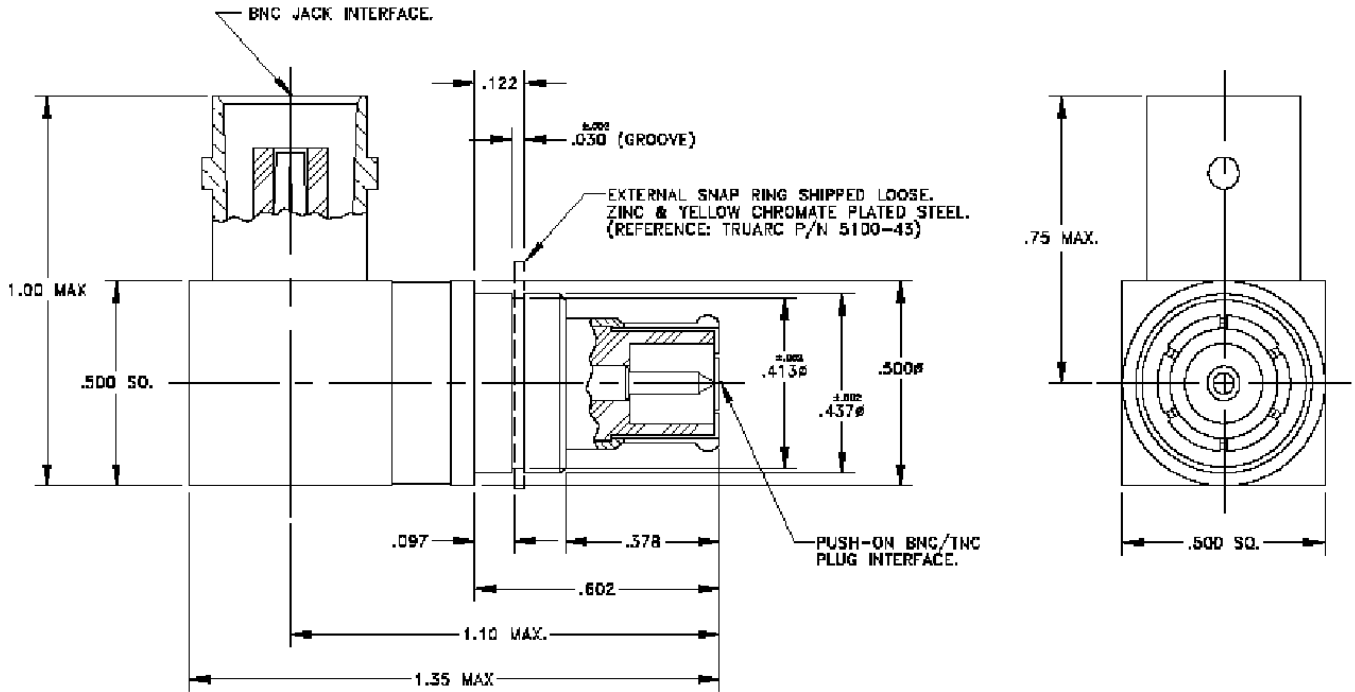
**B.) TEMPERATURE RANGE / -65° TO +165°C**

**C.) MATERIAL:**


- 1.) BODY / 360 BRASS PER QQ-B-626.
- 2.) CONTACT / BERYLLIUM COPPER PER QQ-C-530.
- 3.) INSULATOR / TEFLON PER ASTM-D1457.

**D.) FINISH:**

- 1.) BODY / .0002 MIN. BRIGHT NICKEL PER QQ-N-290.
- 2.) CONTACT / .00005 MIN GOLD OVER NICKEL PER MIL-C-45204.



CONFIDENTIAL AND PROPRIETARY TO DEKLIN TECHNOLOGIES INC

|          |              |  |          |           |          |
|----------|--------------|--|----------|-----------|----------|
| DATE     | Jan 14, 2008 |  <b>Deklin Technologies</b><br>413 CHESTERFIELD LANE<br>NORTH AURORA, IL 60542<br>TEL: 630-844-1760<br>www.deklintech.com |          |           |          |
| DRAWN    | JAD          |  |          |           |          |
| CHECKED  | JAD          |  |          |           |          |
| APPROVED | TJD          |  |          |           |          |
| PART NO. | DBA-600      | TITLE Between Series Adaptor, Right Angle BNC to Push-On TNC/TNC Plug  |          |           |          |
| FILE     |              | SIZE   | REV. 1.0 | SHEET 1/1 |          |
|          |              | DWG TYPE   | Outline  | DWG NO.   | 20080114 |