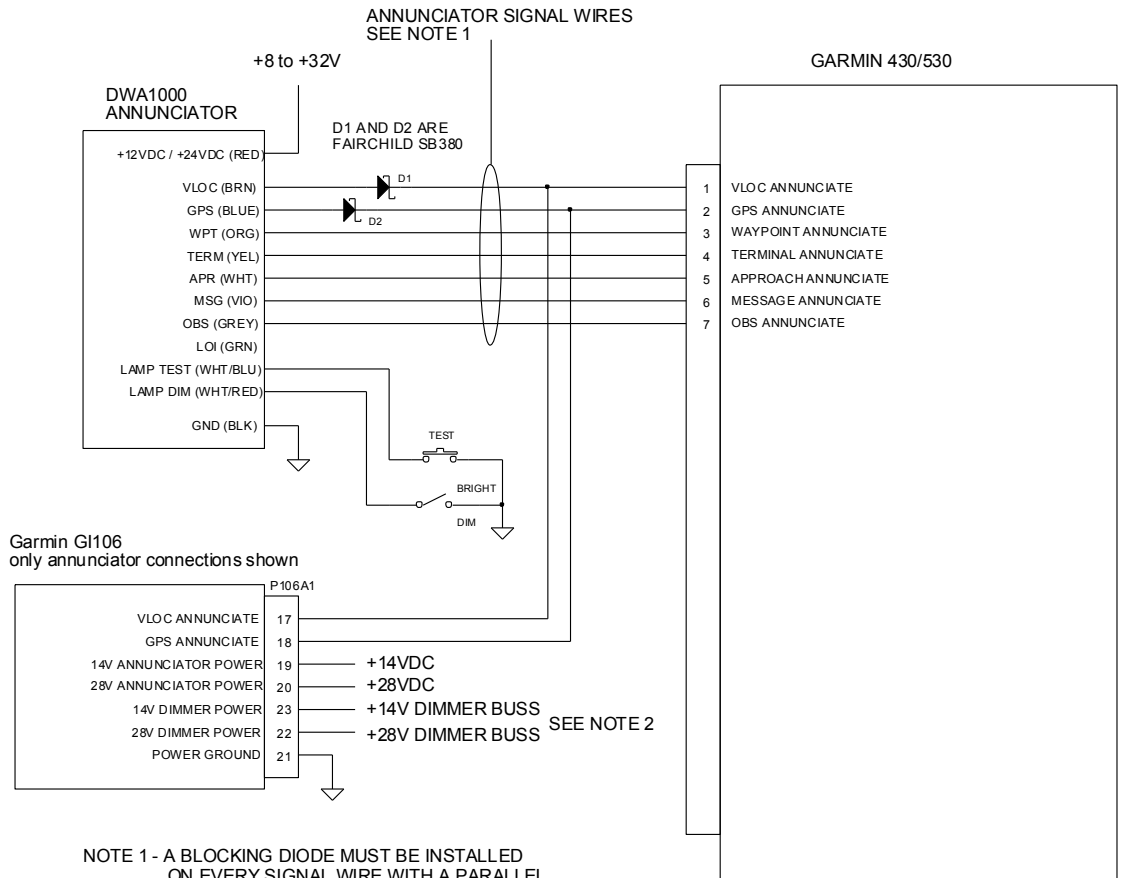


IMPORTANT INSTALLATION NOTE

The DWA1000 Annunciator can not be installed in parallel with separate annunciator indicators unless external blocking diodes are installed. Refer to wiring example below.

Recommended blocking diode –
Fairchild SB380

WARNING
FAILURE TO INSTALL AN EXTERNAL BLOCKING DIODE TO SIGNAL WIRES WITH PARALLEL ANNUNCIATOR CONNECTIONS WILL DAMAGE THE UNIT.



- NOTE 1 - A BLOCKING DIODE MUST BE INSTALLED ON EVERY SIGNAL WIRE WITH A PARALLEL ANNUNCIATOR INDICATOR CONNECTED RECOMMENDED DIODE IS FAIRCHILD SB380
- NOTE 2 - SEE GARMIN INSTALLATION MANUAL FOR PROPER CONNECTIONS TO PIN 22 DO NOT CONNECT DIMMING PINS TO DWA1000 DIMMING SWITCH

WIRING EXAMPLE
ONLY ANNUNCIATOR CONNECTIONS SHOWN