



D5 DZUS® Panel Line Quarter-turn Fasteners Studs

DZUS® Panel line features captive, flare-in stud assemblies and continuous receptacle strip.

- **Captive to outer panel**
- **Predictable clamping force**
- **High vibration resistance**
- **Visual latched indication**

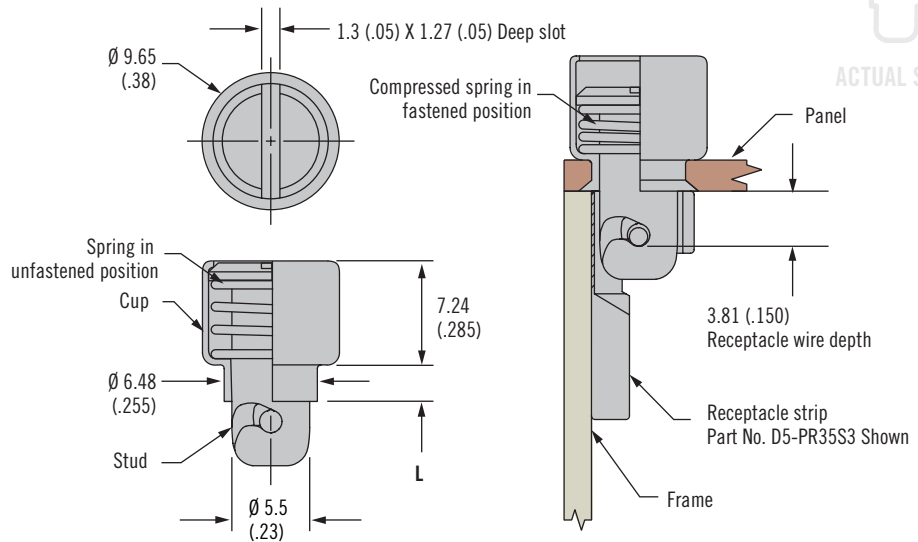
Material and Finish

Steel, zinc plated

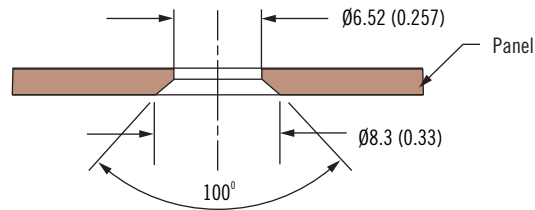
Performance Details

Rated tensile and shear:
890 N (200 lbs.) when used with
DZUS® receptacles

Stud assembly



Panel Preparation



1. Select receptacle type
2. D5-PR35S3 (angle) or D5-PR35-1S3 (flat) receptacle types. Determine outer panel thickness and use column A. Select from column C for assemblies.

OR

D5-PB35 (Single hole wire form) receptacle type. Determine outer panel thickness and use column A, then calculate total material thickness (TMT) required as indicated in column B. Select from column C for assemblies.

Panel line stud assembly options

| A | | Cup flange length L | B | | C |
|------------------------|-------------|---------------------|------------------------|-------------|-------------------|
| Outer panel dimensions | | | TMT Range for: D5-PB35 | | |
| A Min. | A Max. | | Min. | Max. | |
| 1.27 (.050) | 1.50 (.059) | 1.78 (.070) | 3.81 (.150) | 4.04 (.159) | D5-PFSC35-37A-190 |
| 1.52 (.060) | 1.75 (.069) | 2.03 (.080) | 4.06 (.160) | 4.29 (.169) | D5-PFSC35-38A-190 |
| 1.77 (.070) | 2.01 (.079) | 2.29 (.090) | 4.32 (.170) | 4.55 (.179) | D5-PFSC35-39A-190 |
| 2.03 (.080) | 2.26 (.089) | 2.54 (.100) | 4.57 (.180) | 4.80 (.189) | D5-PFSC35-40A-190 |
| 2.29 (.090) | 2.51 (.099) | 2.80 (.110) | 4.83 (.190) | 5.05 (.199) | D5-PFSC35-41A-190 |
| 2.54 (.100) | 2.77 (.109) | 3.05 (.120) | 5.08 (.200) | 5.31 (.209) | D5-PFSC35-42A-190 |
| 2.79 (.110) | 3.02 (.119) | 3.30 (.130) | 5.33 (.210) | 5.56 (.219) | D5-PFSC35-43A-190 |
| 3.05 (.120) | 3.28 (.129) | 3.56 (.140) | 5.59 (.220) | 5.82 (.229) | D5-PFSC35-44A-190 |

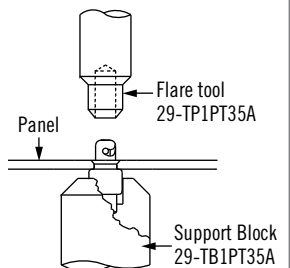
Installation Tools

Panel installation



29-TP1PT35A

29-TB1PT35A



Other options available. For complete details on variety, part numbers, installation and specification, go to



www.southco.com/D5

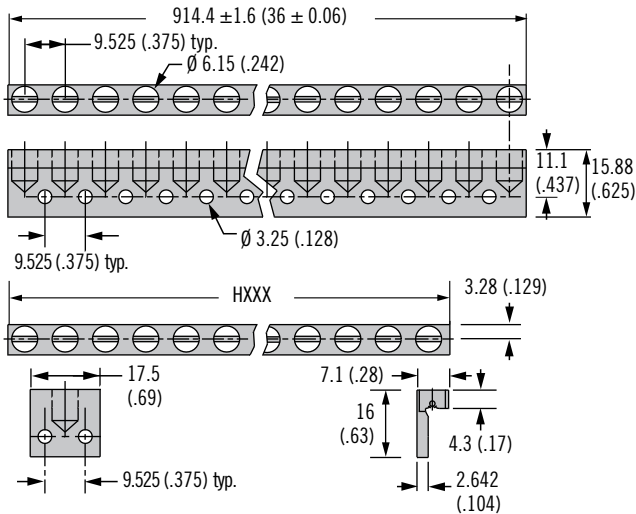
Dimensions in millimeters (inch) unless otherwise stated

southco
CONNECT · CREATE · INNOVATE

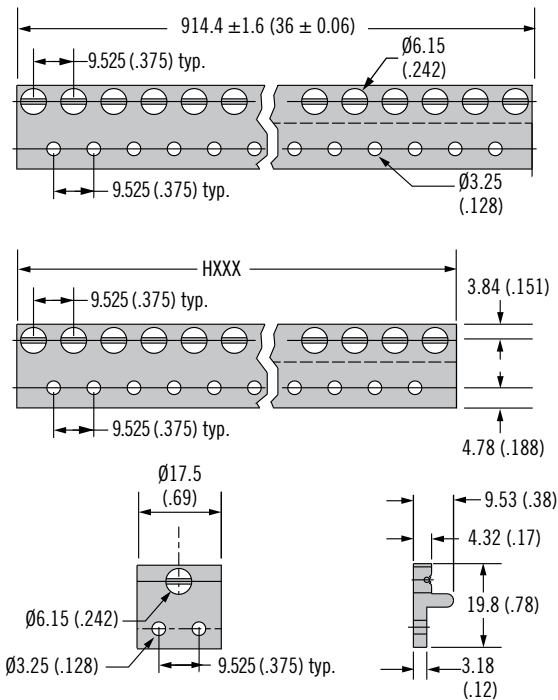
D5 DZUS® Panel Line Quarter-turn Fasteners Receptacles



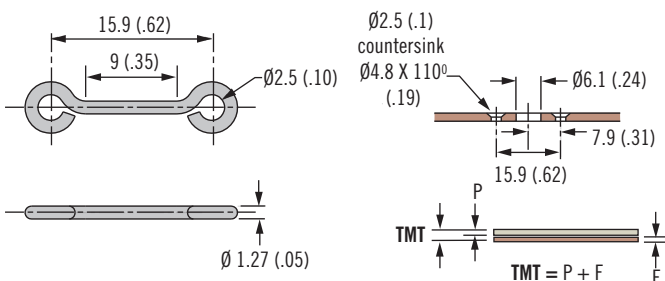
Angle



Flat



Single hole wire form



| Angle Receptacle | | Stud selection column |
|------------------------------|--|-----------------------|
| Standard length D5-PR35S3 | | A |
| Custom length D5-PR35HXXX | | |
| Single hole D5-PRB35 | | |

| Flat Receptacle | | Stud selection column |
|--------------------------------|--|-----------------------|
| Standard length D5-PR35-1S3 | | A |
| Custom length D5-PR35-1HXXX | | |
| Single hole D5-PRC35 | | |

| Single hole wire form receptacle | | Stud selection column |
|----------------------------------|--|-----------------------|
| D5-PB35 | | B |

Dimensions in millimeters (inch) unless otherwise stated

Material and Finish

Right angle, flat aluminum and stainless steel
Single hole wire form steel zinc plated

Select Receptacle Profile

- Right angle or flat
- Single hole, standard length (96 holes) or custom length
- If custom length HXXX (2 holes Min. - 319 holes Max.) determine number of useable receptacle holes.
Total length = No of useable holes multiplied by 9.525 (.375) minus 1.525 (.06)

Example:

319 useable holes
= 319 x 9.525 (.375)
- 1.525 (.06) = 3037 (119.56)
Replace HXXX with H319

* Longer standard lengths available.
Contact Southco for details.