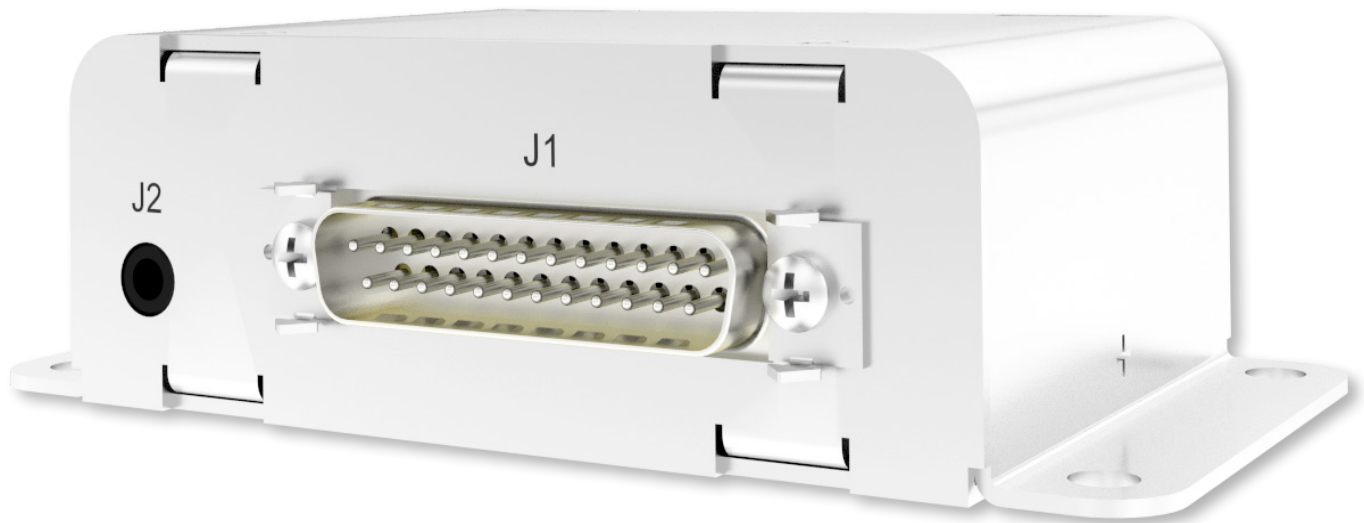




JA34-805 Low Impedance Intercom Adapter Remote Mount Data Sheet



Description

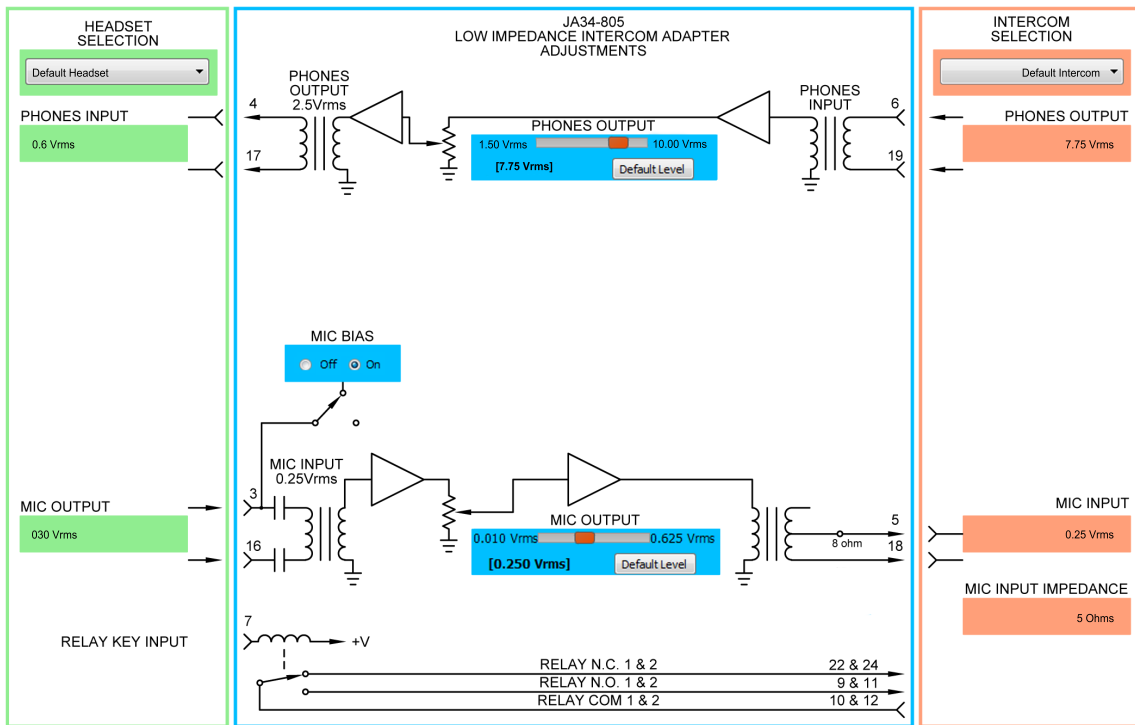
The JA34-805 Low Impedance Adapter allows one High Impedance Headset to be used with a Low Impedance Intercom. The JA34-805 provides fully isolated audio signal paths to and from the intercom to allow a noise free installation.

Features

- Field configurable settings
- Floating audio lines
- Adjustable Microphone Amplifier
- Adjustable Phones Amplifier

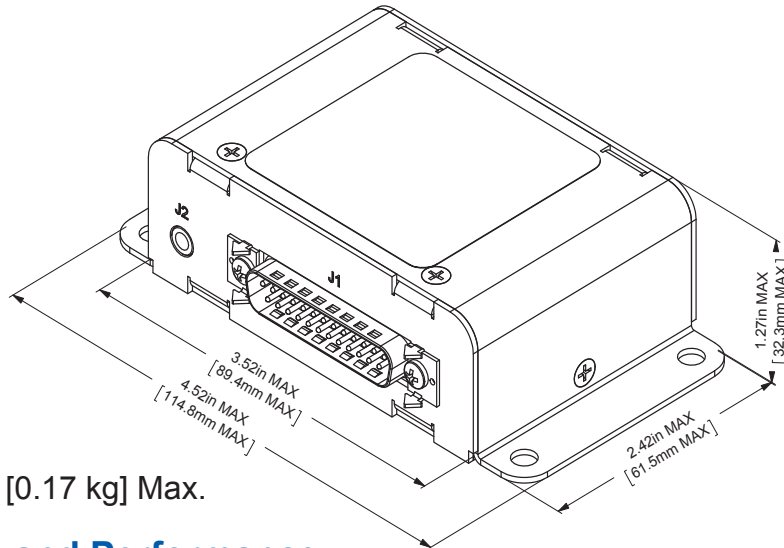


JA34-805 Block Diagram



JA34-805 Specifications

Installation



Weight: 0.38 lb. [0.17 kg] Max.

Environment and Performance

Electrical Power	28 Vdc @ 130 mA typical
Operating Temperature	-40 C to +70 C
Survival Temperature	-55 C to +85 C
Altitude	50,000 ft. max
Humidity	95%, 48 hrs
Shock	20g (any axis)
TSO Compliance	Contact JAC for TSO status
Installation Kit	INST-JA34

