



JA70-x12 Twelve Dzus Glove Box

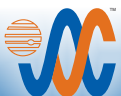
Data Sheet



JA70-x12 Dzus Rail Glove Box

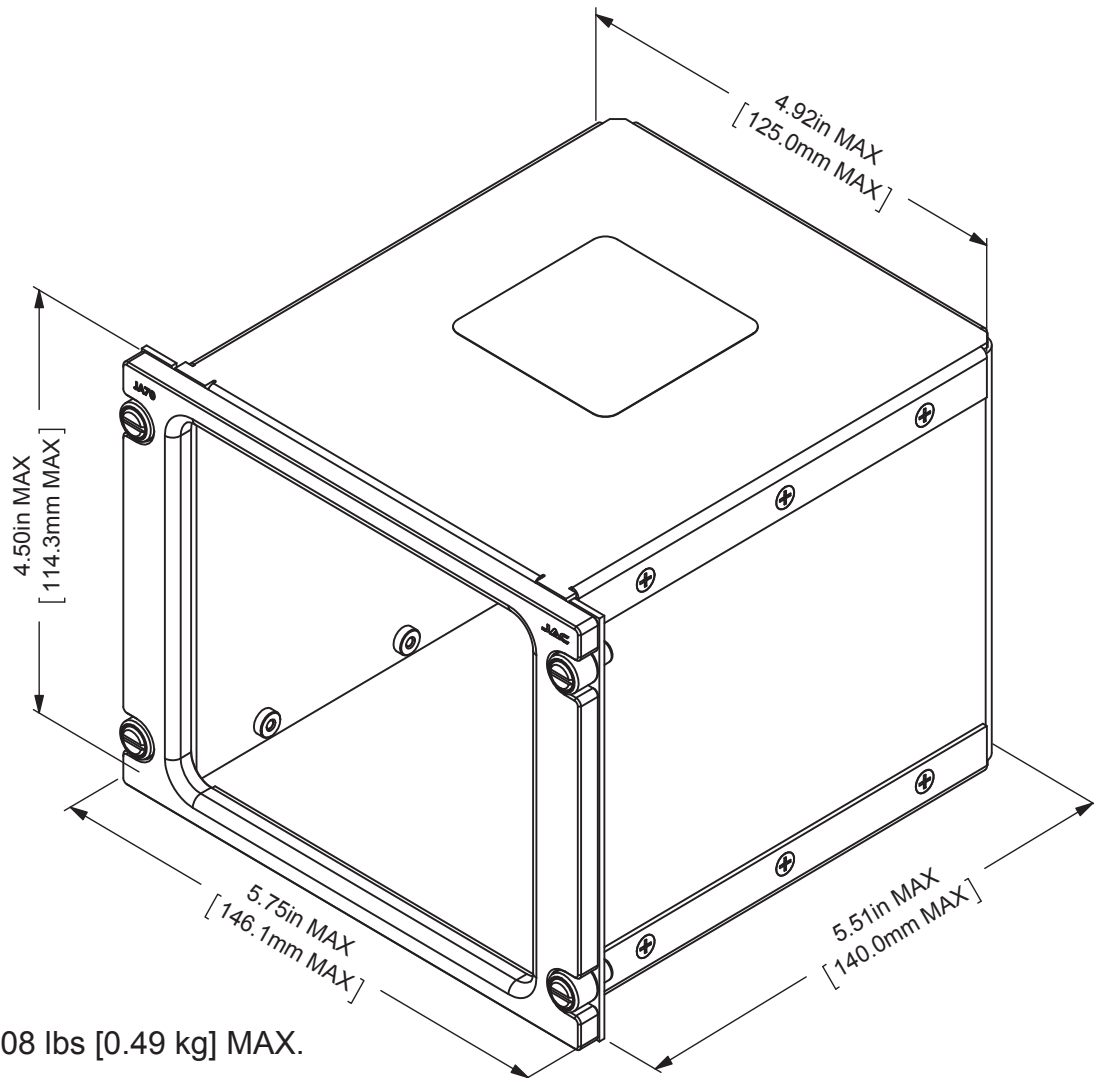
Make better use of empty panel space and reduce clutter with the JA70-x12 Glove Box.

JAC glove boxes provide convenient temporary storage locations for your phone, keys, etc.



JA70-x12 Specifications

Installation



Weight: 1.08 lbs [0.49 kg] MAX.

x options: 0 = Black FED-STD-37038
1 = Gray FED-STD-36231

Environment and Performance

Storage Capacity	1 lb. [450 g]
------------------	---------------