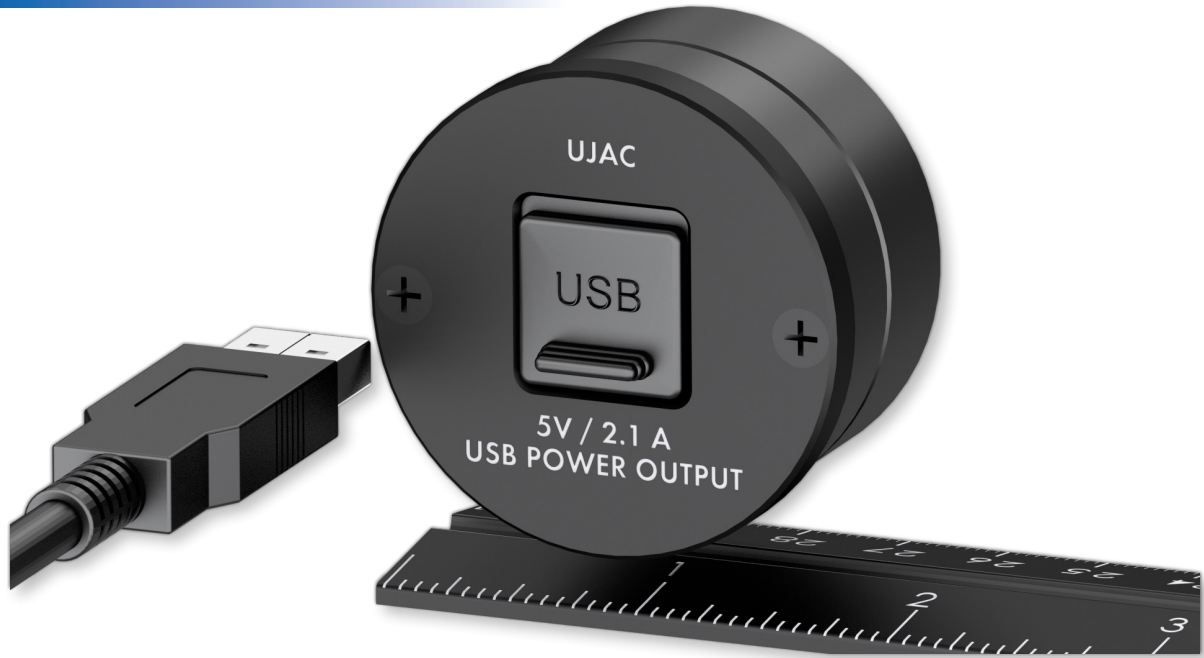




UJAC-001 - Panel Mount USB Charger

Data Sheet



Description

The UJAC-001 incorporates a single USB Type A charging port in a circular housing. The unit is capable of supplying 5 Volts DC at up to 2.1 Amps.

Alternative sizes and styles of Glove Boxes and USB Chargers may be found at www.jupiteravionics.com/productglovebox.php

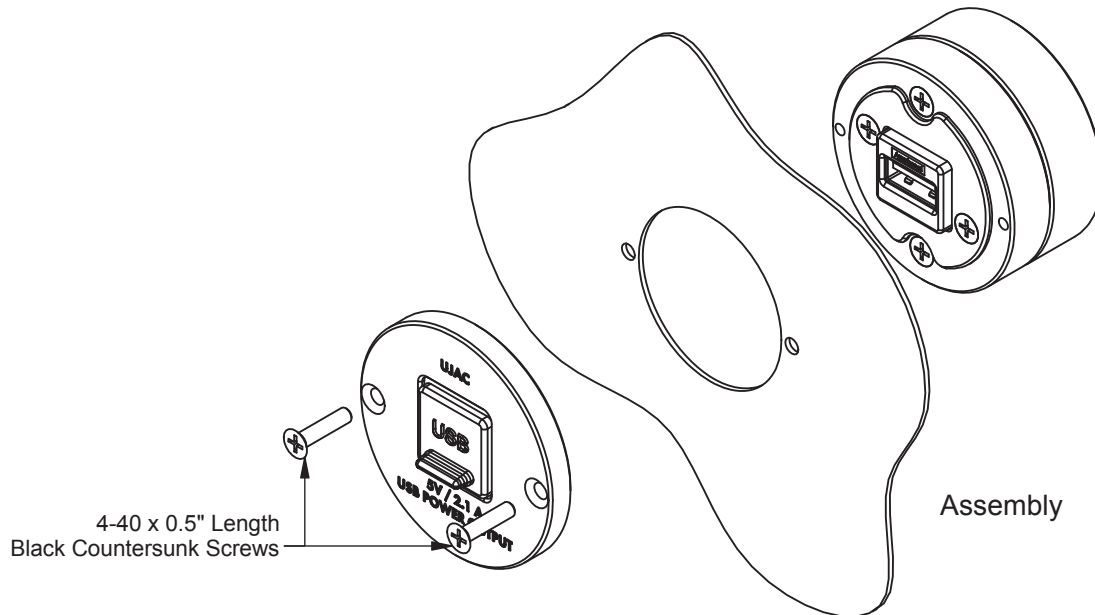
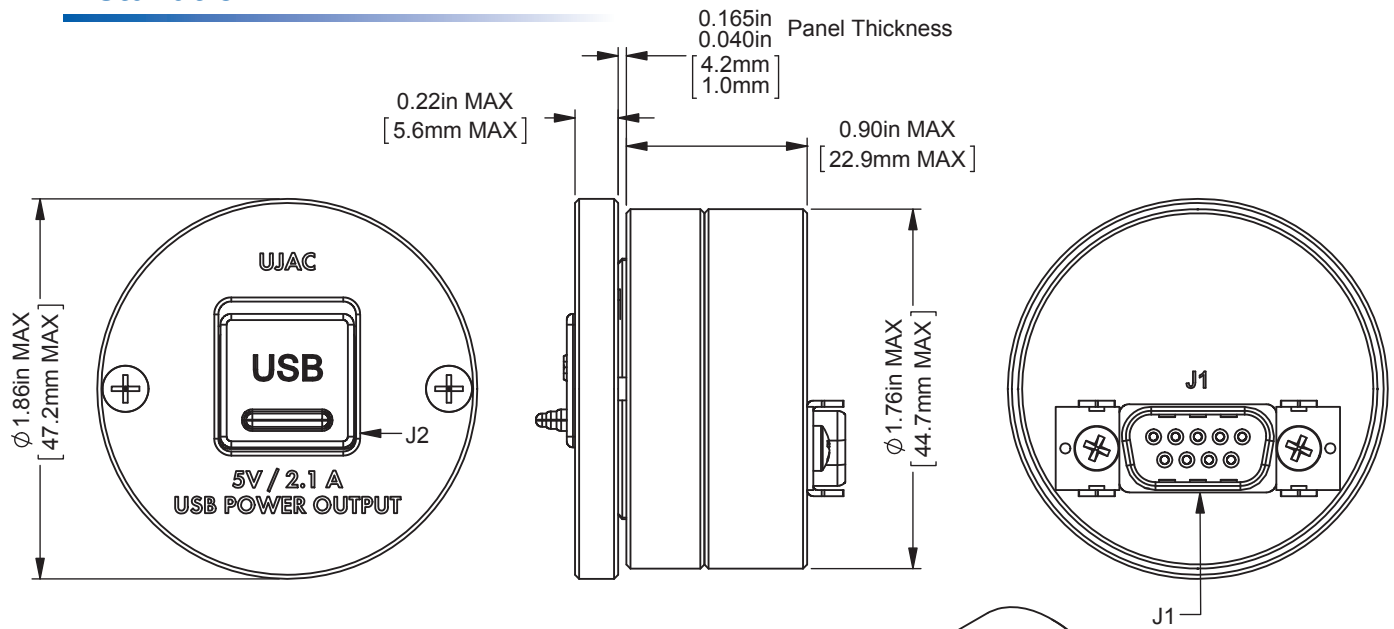
Features

- The reduced depth behind the panel increases the choice of installation locations
- Circular style makes the panel cutting easy
- Finished with a scratch resistant black urethane paint
- Fitted with dust cover to prevent contact damage



UJAC-001 Specifications

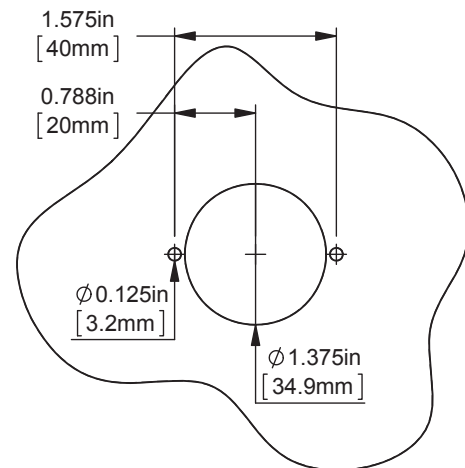
Installation



Weight: 0.21 lbs [0.10 kg] MAX.

Environment and Performance

Input Current	0.75 A Max @ 28 Vdc
Input Voltage Range	20.5 to 32.2 Vdc
Operating Temperature	-45 °C to +70 °C
Survival Temperature	-55 °C to +85 °C
Altitude	55,000 ft. max
TSO Compliance	Contact JAC for TSO status
Installation Kit	INST-UJAC



Panel Cutout Detail