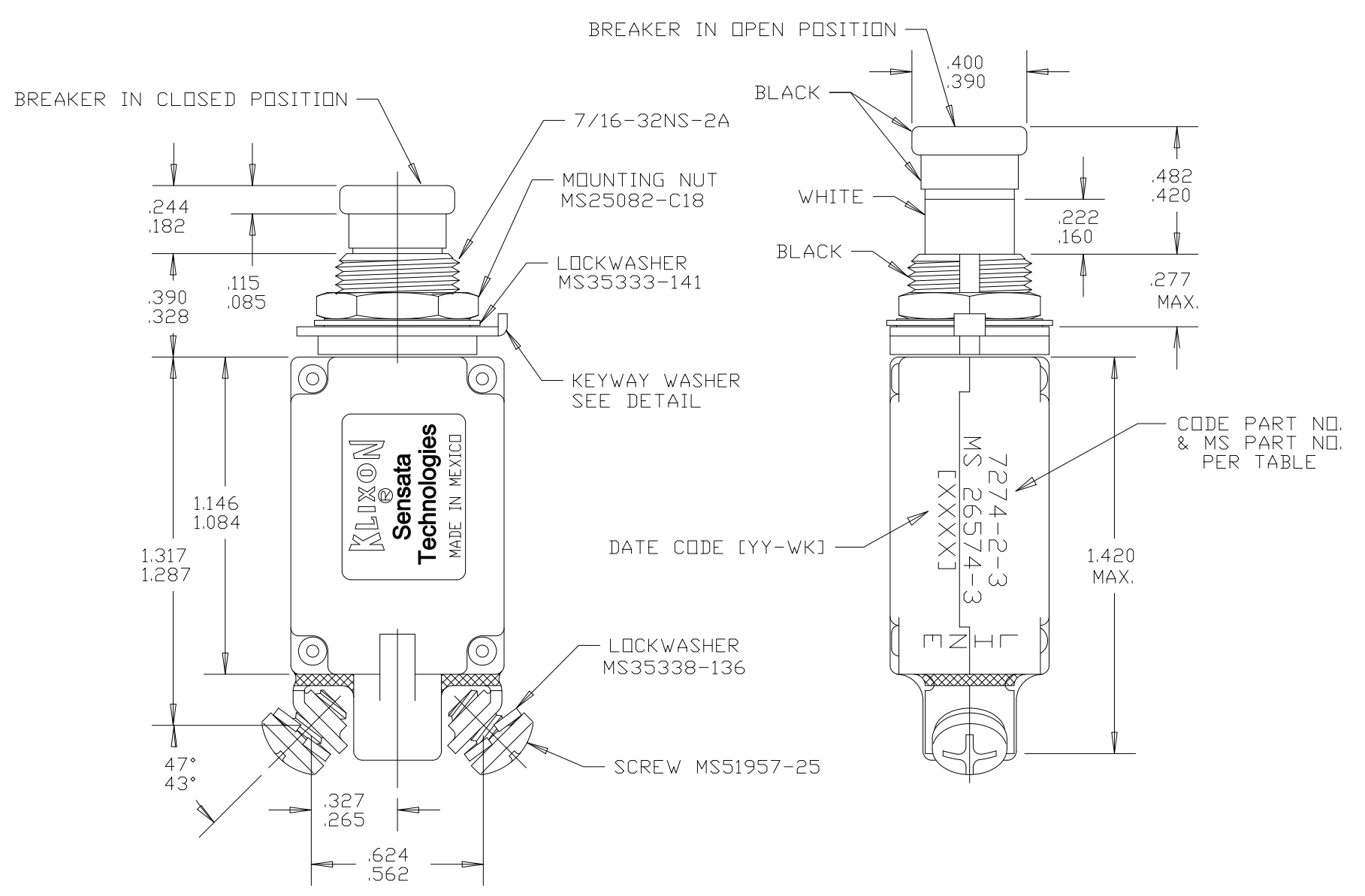
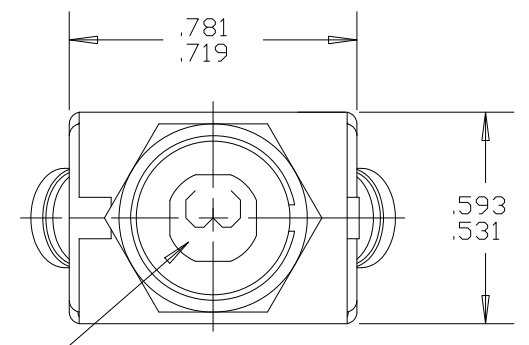
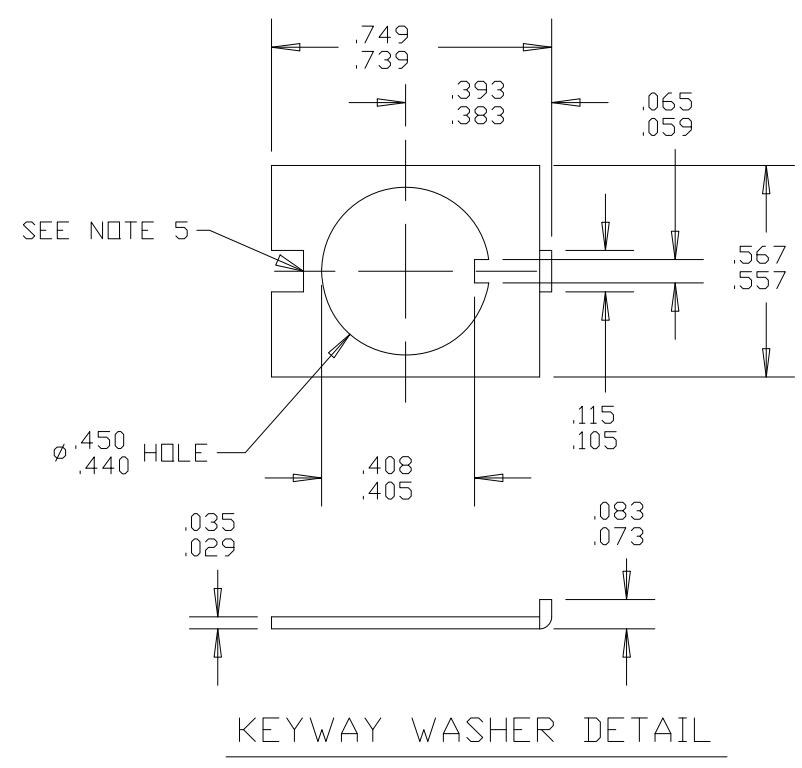


Property of
Sensata Technologies

ZONE	REV.	REVISION DESCRIPTION	ECN NO.	DATE
A2 A1	AN	ADDED 7274-2-25 PART NO.; 7274-2-15, CURRENT INTERRUPTING CAPACITY FOR 28 VDC WAS "2000 AMPS"; GML	ECO-059939	04-NOV-2010



PERFORMANCE CHARACTERISTICS (DETAIL PERFORMANCE PER MIL-C-5809)

OVERLOAD CYCLING ----- 100 CYCLES AT 200% RATING
 SINUSOIDAL VIBRATION ----- 10 G'S 50-500 HZ
 MECHANICAL SHOCK ----- 30 G'S AT 11.0 MILLISECOND DURATION
 ACCELERATION ----- 10 G'S MINIMUM
 SAND AND DUST ----- 12 HOURS
 CORROSION ----- SALT SPRAY 48 HOURS
 HUMIDITY ----- 10 DAYS
 EXPLOSION PROOF ----- WHILE INTERRUPTING RUPTURE CURRENTS
 MOUNTING NUT TORQUE ----- 40 LB.-IN. MAX.

MAXIMUM OPERATING ALTITUDE: 80,000 FT. (24,384 M)

WEIGHT: 28.0 GRAMS MAX.

MAXIMUM OPERATING FORCES:
 PULL OUT ----- 5 LBS. MAX. (222 N)
 RESET ----- 5 LBS. MAX. (222 N)

ENDURANCE:
 120 VAC ----- 400 HZ INDUCTIVE ----- 2500 CYCLES
 120 VAC ----- 400 HZ RESISTIVE ----- 5000 CYCLES
 30 VDC ----- INDUCTIVE ----- 2500 CYCLES
 30 VDC ----- RESISTIVE ----- 5000 CYCLES
 NO LOAD ----- MECHANICAL ----- 5000 CYCLES

CALIBRATION:

AMBIENT TEMP.	HOLD	TRIP	200%	500%	1000%
+25°C (+77°F)	115% RATING	150% RATING	2-20 SEC.	.16-1.2 SEC.	.046-0.8 SEC.
-55°C (-67°F)	135% RATING	180% RATING	-----	-----	-----
+71°C (+160°F)	90% RATING	130% RATING	-----	-----	-----

PART NO.	MS PART NO.	AMP RATING	MAXIMUM VOLTAGE DROP	CURRENT INTERRUPTING CAPACITY	
				120 VAC, 400 HZ	28 VDC
7274-2-1/2	MS 26574-1/2	1/2	2.00	UNLIMITED	UNLIMITED
7274-2-3/4	MS 26574-3/4	3/4	1.45	UNLIMITED	UNLIMITED
7274-2-1	MS 26574-1	1	1.10	UNLIMITED	UNLIMITED
7274-2-1 1/2	MS 26574-1-1/2	1 1/2	0.75	UNLIMITED	UNLIMITED
7274-2-2	MS 26574-2	2	0.75	800 AMPS	UNLIMITED
7274-2-2 1/2	MS 26574-2-1/2	2 1/2	0.70	800 AMPS	UNLIMITED
7274-2-3	MS 26574-3	3	0.55	800 AMPS	UNLIMITED
7274-2-3 1/2	MS 26574-3-1/2	3 1/2	0.50	800 AMPS	UNLIMITED
7274-2-4	MS 26574-4	4	0.45	800 AMPS	UNLIMITED
7274-2-5	MS 26574-5	5	0.35	800 AMPS	UNLIMITED
7274-2-7 1/2	MS 26574-7-1/2	7 1/2	0.30	500 AMPS	2000 AMPS
7274-2-10	MS 26574-10	10	0.28	500 AMPS	2000 AMPS
7274-2-15		15	0.25	500 AMPS	800 AMPS
7274-2-20		20	0.25	500 AMPS	800 AMPS
7274-2-25		25	0.25	500 AMPS	800 AMPS

- NOTES:
- ALL MOUNTING HARDWARE HAS A DULL BLACK FINISH.
 - CIRCUIT BREAKERS ARE SUITABLE FOR MOUNTING IN A 1/8" THICK PANEL OR LESS.
 - EPOXY SURFACES ARE NON-DIMENSIONED, ENVELOPE DIMENSIONS DO NOT APPLY TO THESE PROJECTED EPOXY SURFACES.
 - 1/2 THRU 10 AMP CIRCUIT BREAKERS ARE QUALIFIED TO MS 26574.
 - NON FUNCTIONAL NOTCH ON THE BACK OF THE KEYWAY WASHER IS OPTIONAL.
 - DATE CODE PER 10588-285.

FOR REFERENCE ONLY, CHECK LATEST REVISION BEFORE USE. PARTS MADE TO THIS PRINT MUST CONFORM TO E9898 REV. E		529 PLEASANT STREET P.O. BOX 2964 ATTLEBORO, MA 02703	
DRAWN TOM DAIL DATE 14-JAN-1991	ENGINEER K.B. GASSER DATE 04-NOV-1992	UNLESS OTHERWISE SPECIFIED DIMENSIONS ARE IN INCHES TOLERANCES DECIMALS ANGLES	
APPROVED D.R. PETRIE DATE 21-DEC-1994	DATE	TITLE 7274-2 STYLE CIRCUIT BREAKER PUSH-PULL, TRIP FREE ENVELOPE DRAWING	
DO NOT SCALE DRAWING	THIRD ANGLE PROJECTION	SIZE C	DWG NO. 7274-2
SCALE 1:1	AUTOCAD	REV. AN	SHEET 1 OF 1