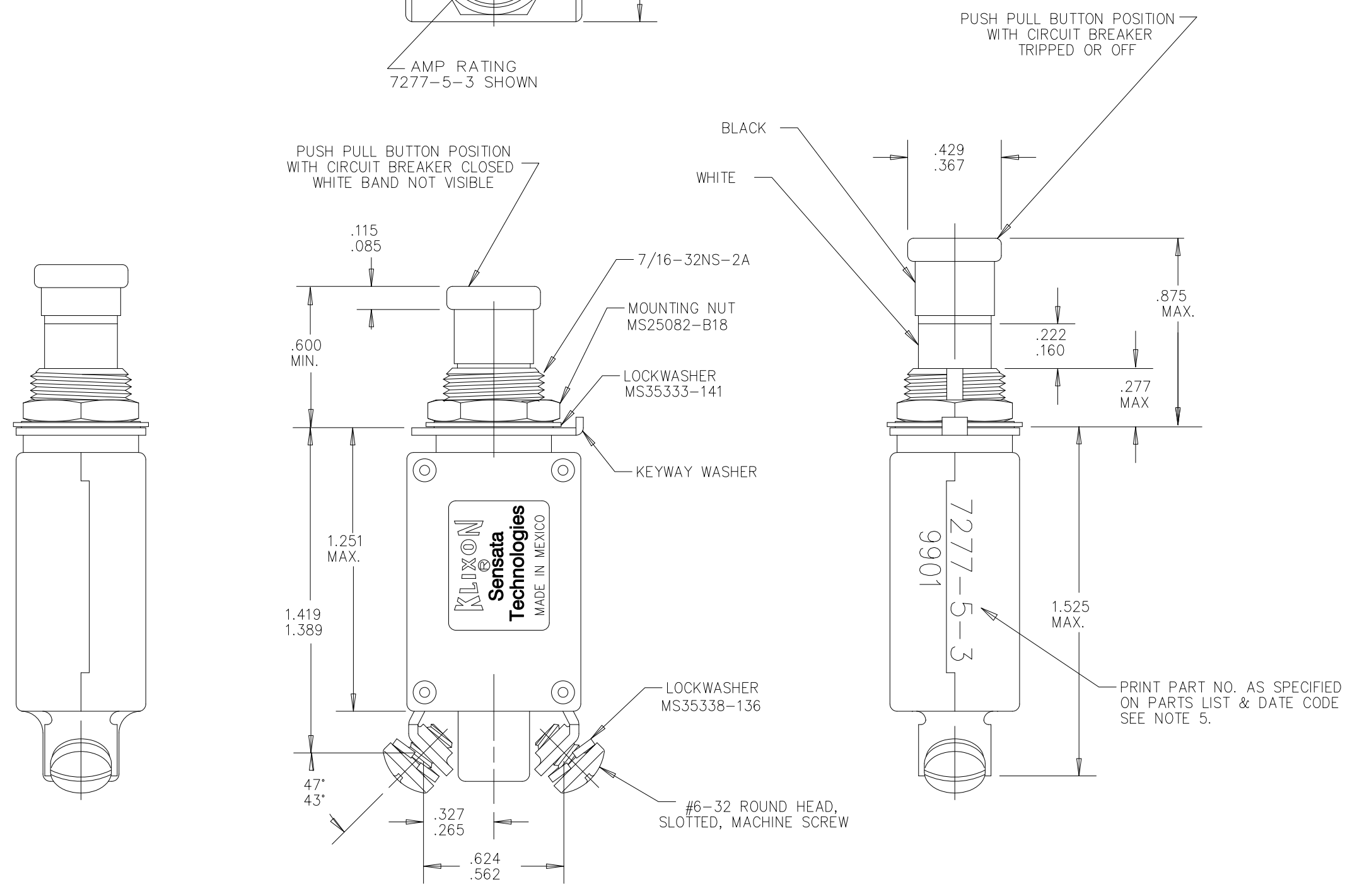
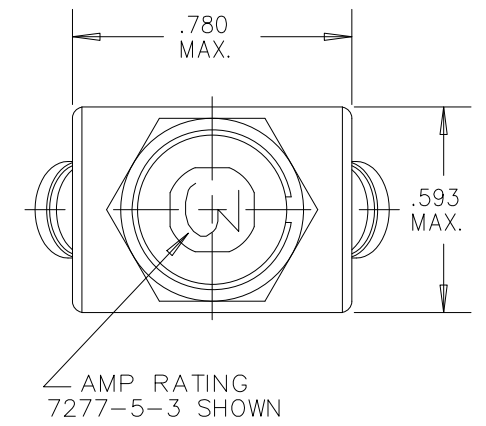
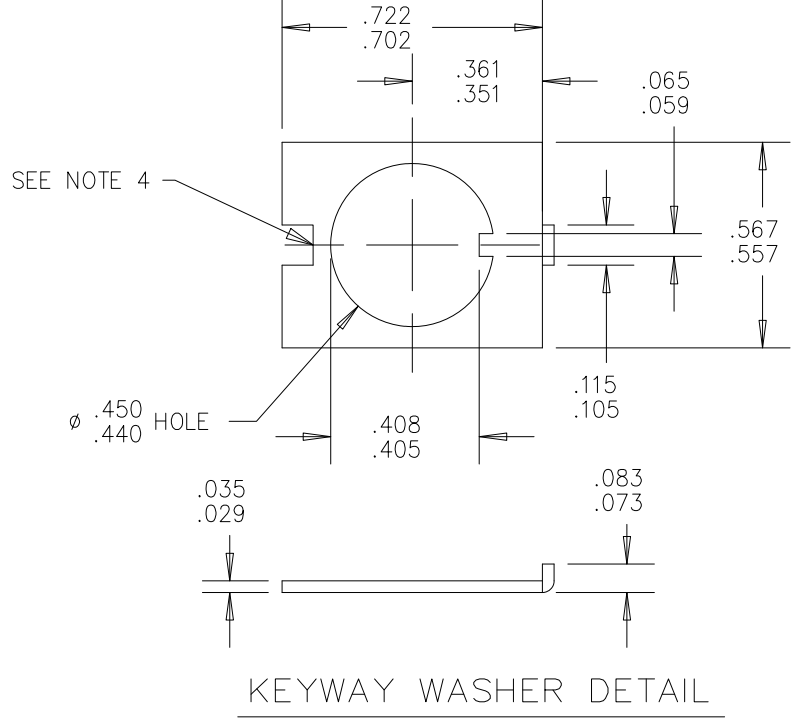


Property of
Sensata Technologies

ZONE	REV.	REVISION DESCRIPTION	ECN NO.	DATE
B3	P	.429/.367 WAS .400/.390;	ECO-138412	04-OCT-2016
B2		.222/.160 WAS .175 MIN; .277 MAX WAS .281/.219; PD		



PERFORMANCE CHARACTERISTICS (DETAIL PERFORMANCE PER MIL-C-5809)

OVERLOAD CYCLING ----- 100 CYCLES AT 200% RATING
 VIBRATION ----- 10 G'S 50-500 HZ
 MECHANICAL SHOCK ----- 35 G'S AT 11.5 MILLISECOND DURATION
 ACCELERATION ----- 10 G'S MINIMUM
 SAND AND DUST ----- 12 HOURS
 CORROSION ----- SALT SPRAY 50 HOURS
 HUMIDITY ----- 10 DAYS
 EXPLOSION PROOF ----- WHILE INTERRUPTING RUPTURE CURRENTS

ENDURANCE:
 120 VAC ----- 400 HZ INDUCTIVE ----- 2500 CYCLES
 RESISTIVE ----- 5000 CYCLES
 30 VDC ----- INDUCTIVE ----- 2500 CYCLES
 RESISTIVE ----- 5000 CYCLES
 MECHANICAL ----- 5000 CYCLES

CALIBRATION:

AMBIENT TEMP.	MIN.ULT.TRIP	MAX.ULT.TRIP	200%	500%	1000%
+25°C	110% RATING	150% RATING	2-35 SEC.	.15-1.7 SEC.	.028-.55 SEC.

PART NO.	AMP RATING	MAXIMUM VOLTAGE DROP	CURRENT INTERRUPTING CAPACITY	
			120 VAC, 400 HZ	28 VDC
7277-5-1/2	1/2	2.00	UNLIMITED	UNLIMITED
7277-5-3/4	3/4	1.45	UNLIMITED	UNLIMITED
7277-5-1	1	1.10	UNLIMITED	UNLIMITED
7277-5-1 1/2	1 1/2	0.75	UNLIMITED	UNLIMITED
7277-5-2	2	0.75	800 AMPS	UNLIMITED
7277-5-2 1/2	2 1/2	0.70	800 AMPS	UNLIMITED
7277-5-3	3	0.55	800 AMPS	UNLIMITED
7277-5-4	4	0.45	800 AMPS	UNLIMITED
7277-5-5	5	0.35	800 AMPS	UNLIMITED
7277-5-7 1/2	7 1/2	0.30	500 AMPS	2000 AMPS
7277-5-10	10	0.28	500 AMPS	2000 AMPS
7277-5-15	15	0.25	500 AMPS	800 AMPS
7277-5-20	20	0.25	500 AMPS	800 AMPS
7277-5-25	25	0.25	500 AMPS	800 AMPS

NOTES:

- ALL MOUNTING HARDWARE HAS A DULL BLACK FINISH.
- CIRCUIT BREAKERS ARE SUITABLE FOR MOUNTING IN A 1/8" THICK PANEL OR LESS.
- EPOXY SURFACES ARE NON-DIMENSIONED. ENVELOPE DRAWING DIMENSIONS DO NOT APPLY TO THESE PROJECTED EPOXY SURFACES.
- NON FUNCTIONAL NOTCH ON THE BACK OF THE KEYWAY WASHER IS OPTIONAL.
- DATE CODE SPEC: 10588-285

FOR REFERENCE ONLY, CHECK LATEST REVISION BEFORE USE. PARTS MADE TO THIS PRINT MUST CONFORM TO E9898 REV. E		529 PLEASANT STREET P.O. BOX 2964 ATTLEBORO, MA 02703	
DRAWN CHAS. FLEURANT DATE 30-OCT-1991 ENGINEER K.B. GASSER DATE 09-MAR-1992 APPROVED D.R. PETRIE DATE 09-MAR-1992 APPROVED	SENSATA TECHNOLOGIES PROPRIETARY AND CONFIDENTIAL. NEITHER THIS PRINT NOR THE INFORMATION CONTAINED HEREON IS TO BE USED AGAINST THE INTERESTS OF SENSATA TECHNOLOGIES OR AGAINST THE INTERESTS OF ANY OF ITS AFFILIATED COMPANIES OR WHOLLY OWNED SUBSIDIARIES. INTERPRET DIMENSIONING AND TOLERANCING PER ASME Y14.5-2009. UNLESS OTHERWISE SPECIFIED DIMENSIONS ARE IN INCHES. TOLERANCES DECIMALS ANGLES	TITLE 7277-5 TYPE PUSH-PULL TRIP FREE CIRCUIT BREAKER ENVELOPE DRAWING	
DATE	DO NOT SCALE DRAWING	THIRD ANGLE PROJECTION	SCALE 1:1 AUTOCAD SHEET 1 OF 1