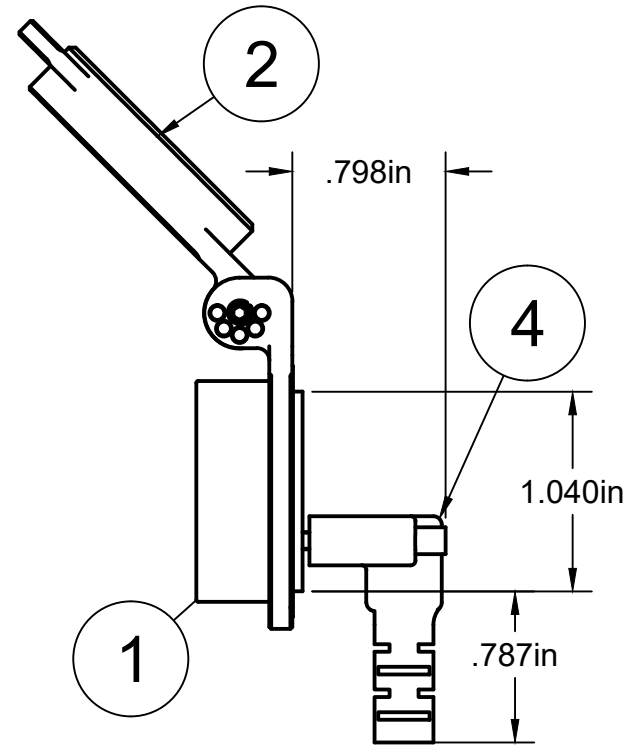
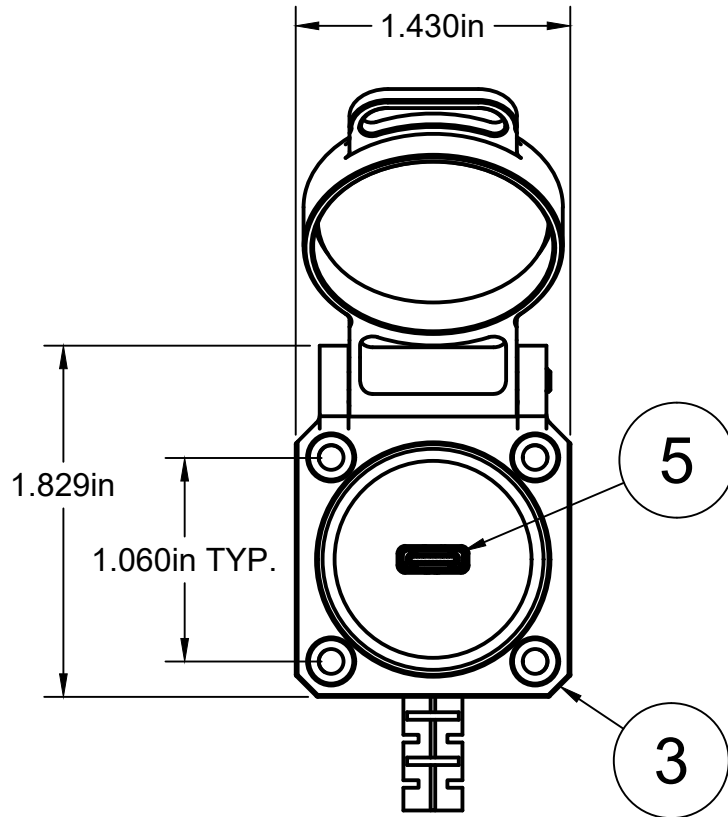



Revision Block					
Rev	ECN	Zone	Description of Changes	Date	Appv.
-	-	-		-	



Drawing #	LS03-05003-06
Sheet	5/5
Rev.	0

Panel Mount USB-C Universal Fast Charger Port		
1	Port Housing	Enclosure for PCB with mounting
2	Flip Cover	Detent Indexed Dust Cover
3	Cover Base	Mounting Base
4	Rt. Angle Cable	Rt. Angle Locking USB-C Cable
5	USB-C Port	Fast Charging Port Receptacle

Unless otherwise noted, dimensions are in inches with tolerances as follow:		Proprietary This document and the data disclosed herewith is not to be reproduced, use, in whole or in part without written authorization from Lone Star Aviation, Corp		 604 S. Wisteria Street Mansfield, Texas 76063 682-518-8882 682-518-8831 fax	
.XX	±.03	Approvals	Date	Title: Remote Panel Mount Charger Port	
.XXX	±.015	Drawn: JCH	Date: 3/9/2021	Size A	Drawing #: LS03-05003-06
.XXXX	±.0005	Approved: ZJD	Date: 6/25/2021	Scale -	Filename: 05050C Install
Angular	±1°	Material: 7075-T6 AL	Finish: Class III Hard Anodizing	Rev. 0	Sheet 5/5