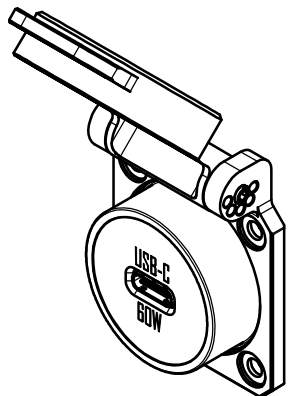
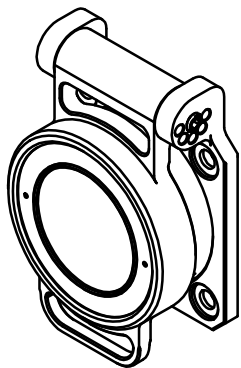
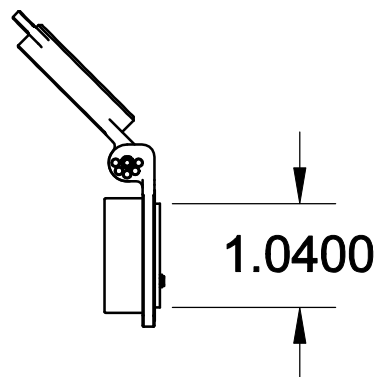
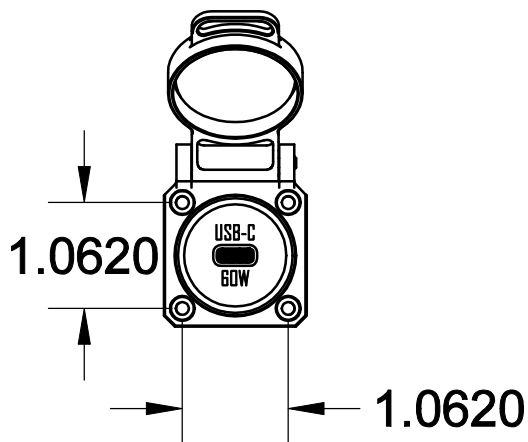
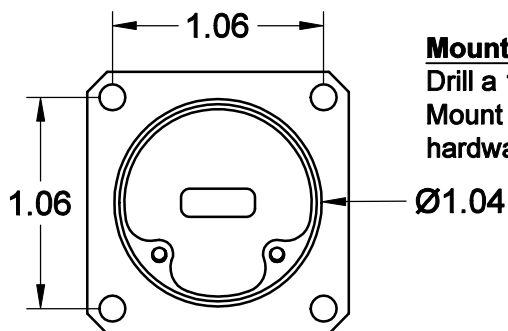


Revision Block					
Rev	ECN	Zone	Description of Changes	Date	Appv.
0	-	-	Initial Release	11/30/21	JRM
1	-	-	Removed Cable, Added Silkscreen Text	9/9/2022	JMH



**Mounting Instructions:**

Drill a 1.04 in hole where the Panel Mount will insert. Using ANSI #4-40 hardware, fasten the unit to the panel



**Note:** The charger can be operated from 9 to 40vdc, 13.8V systems will be limited to 37W (3Ax12.3V). 28V systems will be able to supply 60W.

**TESTING: DO160G**

Efficiency: 90%  
 Testing: DO160G  
 Approvals: FAA TSO C71 Cat A

**Temperature Shutoff**

The LS03-05050-C USB-C Panel Mount Pass-through is equipped with a temperature sensor and Vbus shut-off switch. If the temperature of the PCB raises above 55C, power on the Vbus will shut charger off. When the PCB cools down, the switch will open, allowing charging to continue.

The LS03-05050-C Panel Mount USB-C Passthrough is designed to work with the LS03-05003-(A)-USBC-X Universal Fast Charger. The Charger can be installed remotely and connect to the Panel Mount via a USB 2.0 cable. This will connect charging power to the Panel Mount and allow the user to plug in a device, via USB-C, for QC/PD charging.

**Specifications:**

Input Voltage: 9-40vdc  
 Input Current: 3.2A max  
 Charging Voltage: 5, 9, 12, 15, 20V  
 Output Current: 3A per port  
 Charging Power: 60W (per port)  
 Connector Type:  
 Input: 5 Pin db combo  
 Output: USB-C Single or Dual port

**Protections:**

Under Voltage  
 Over Voltage  
 Over Current  
 Temperature  
 65C Shut down  
 Short Circuit  
 ESD

**Charging Protocols:**

Power Delivery 3.0  
 Quick Charge 3.0  
 Quick Charge 4.0  
 Apple Charge 2.4  
 Adaptive F. Charge  
 Battery Charge 1.2

**TESTING: DO0160G**

Max Temperature: +70C  
 Min Temperature: -55C  
 Max Altitude: 55k Ft.  
 Vibration: Section 8, Cats Curve M  
 Humidity: 95%, 50C +/-3deg  
 Load Regulation: +/-2%  
 Line Regulation: +/-3%  
 Flammability: DO160G Sec 26

LS03-05050-C	Drawing #
1/1	Sheet
1	Rev.

Unless otherwise noted, dimensions are in inches with tolerances as follow:		Proprietary		This document and the data disclosed herewith is not to be reproduced, use, in whole or in part without written authorization from Lone Star Aviation, Corp	
.XX	±.03	Approvals		Date	
.XXX	±.005	Drawn: JRM		Date: 11/8/21	
.XXXX	±.0005	Approved: JRM		Date: 11/30/21	
Angular	±1°	Material: -		Size Drawing #	
Finish: -		Scale: -		A	

**LONE STAR**  
 Aviation Corporation  
 604 S. Wisteria Street  
 Mansfield, Texas 76063  
 882-518-8882  
 882-518-8831 fax

Title: LS03-05050-C			
Receiving Drawing			
Size	Drawing #	Rev.	
A	LS03-05050-C	1	
Scale	Filename:	Sheet	
-	Panel Mount	1/1	