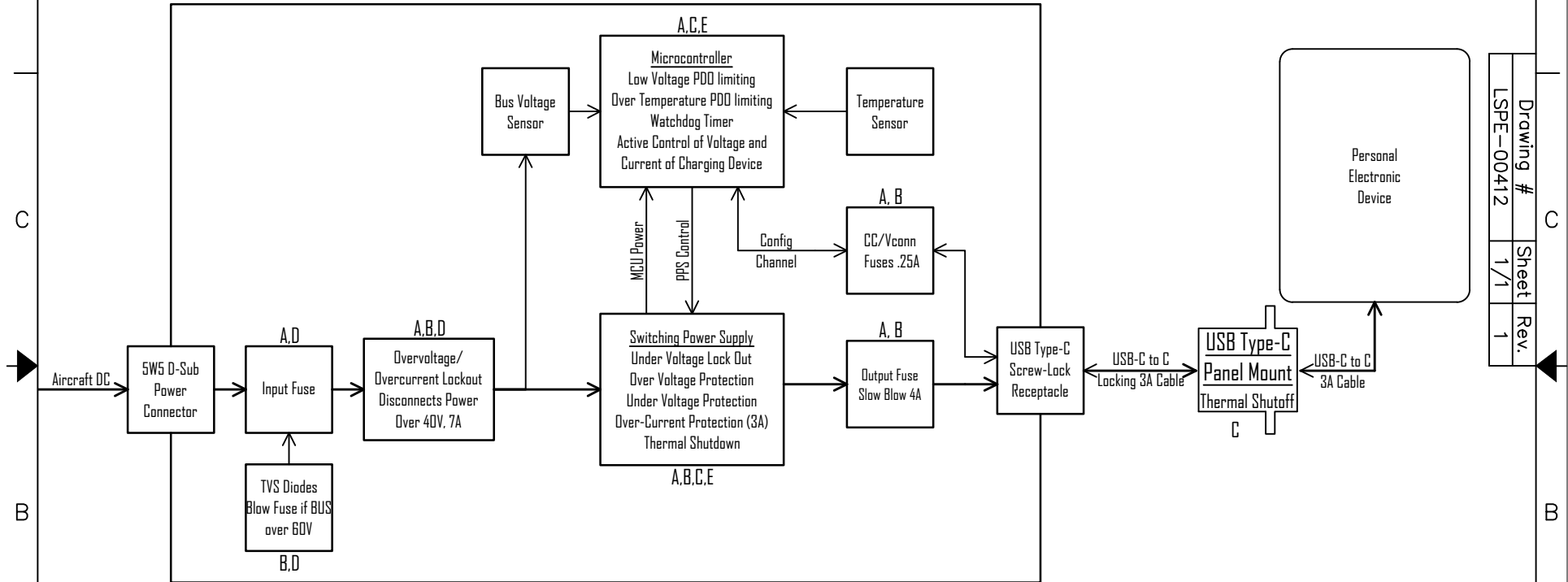


Revision Block					
Rev	ECN	Zone	Description of Changes	Date	Appv.
-	-	-		-	
1	-	-	Corrected Output Fuse Value	11/4/22	JMH

## Universal Fast Charger Protections




Drawing #	LSPE-00412
Sheet	1/1
Rev.	1

Protection Types	
A	Short Circuit/Over Current
B	Over/Under Voltage
C	Over Temperature
D	Hard Protection (Fail Safe)
E	Soft Protection (MCU/IC Dependant)

Unless otherwise noted, dimensions are in inches with tolerances as follow:	
.XX	±.03
.XXX	±.015
.XXXX	±.0005
Angular	±1°
Material:	-
Finish:	-

Proprietary This document and the data disclosed herewith is not to be reproduced, use, in whole or in part without written authorization from Lone Star Aviation, Corp	
Approvals	Date
Drawn: JCH	Date: 6-23-2021
Approved: -	Date: -



**LONE STAR**  
Aviation Corporation  
604 S. Wisteria Street  
Mansfield, Texas 76063  
882-518-8882  
682-518-8831 fax

Title: Electrical Protections Universal Fast Charger	
Size: A	Drawing #: LSPE-00412
Scale: -	File Path and Name: 1/1
Rev. 1	Sheet 1/1