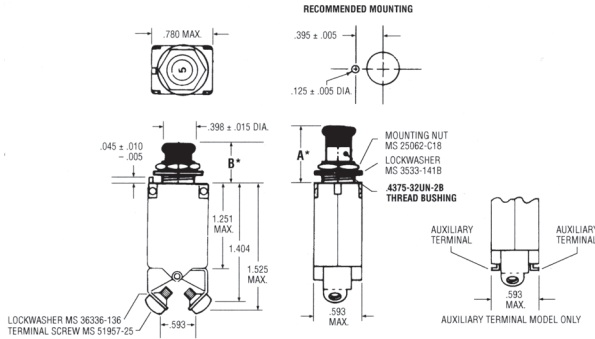
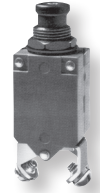


## 4200-002 and 4200-005 Series Push-Pull Type



Standard P/N	Long button MS P/N	Amp
4200-002-1	4200-005-1	1
4200-002-2	4200-005-2	2
4200-002-2.5	4200-005-2.5	2.5
4200-002-3	4200-005-3	3
4200-002-4	4200-005-4	4
4200-002-5	4200-005-5	5
4200-002-7.5	4200-005-7.5	7.5
4200-002-10	4200-005-10	10
4200-002-15	4200-005-15	15
4200-002-20	4200-005-20	20
4200-002-25		25

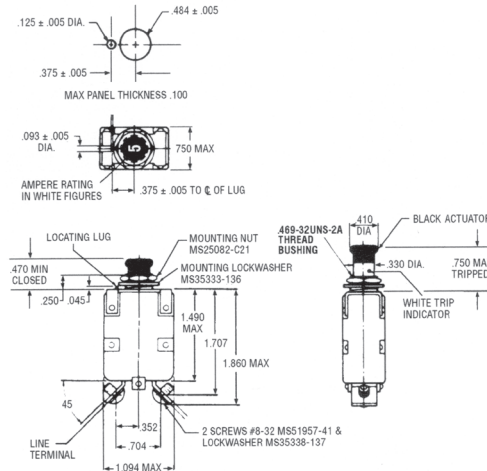


## 700-001 Series or MS25244 Push-Pull Type

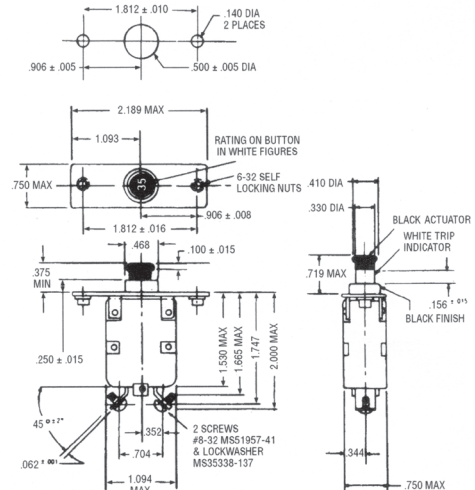
P/N	MS P/N	Amp
700-001-5	MS25244-5	5
700-001-7.5	MS25244-7.5	7.5
700-001-10	MS25244-10	10
700-001-15	MS25244-15	15
700-001-20	MS25244-20	20
700-001-25	MS25244-25	25
700-001-30	MS25244-30	30
700-001-35	MS25244-40	35
700-001-40	N/A	40
700-001-50	N/A	50



RECOMMENDED MOUNTING MS-25244

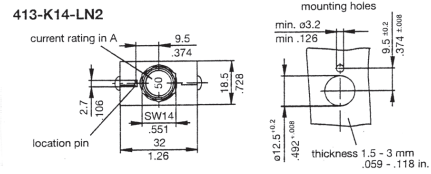
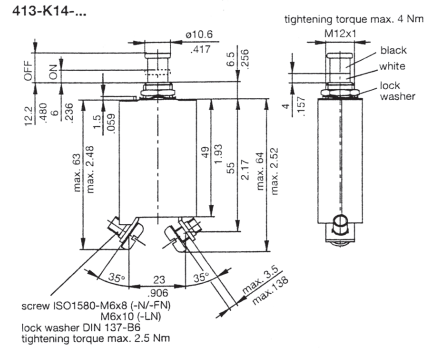


RECOMMENDED MOUNTING MS-25244-P



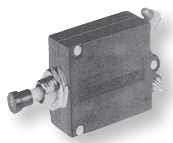
### 413-K14-LN2 Series Piper Main Breaker, Push-Pull Type

P/N	Amp
413-K14-LN2-40	40
413-K14-LN2-50	50
413-K14-LN2-60	60
413-K14-LN2-70	70



### Potter & Brumfield Circuit Breakers

### W23X1A1G Series Push-Pull Type



P/N	AMP
W23X1A1G-1	1
W23X1A1G-2	2
W23X1A1G-3	3
W23X1A1G-5	5
W23X1A1G-7.5	7.5
W23X1A1G-10	10
W23X1A1G-15	15
W23X1A1G-20	20
W23X1A1G-25	25
W23X1A1G-30	30
W23X1A1G-35	35
W23X1A1G-40	40
W23X1A1G-50	50

#### OUTLINE DIMENSIONS

